



# DOSPEL

Leader in ventilation

## PRODUCT CATALOGUE







# DOSPEL

Leader in ventilation

## PRODUCT CATALOGUE

### **DOSPEL ProLine - ventilation of flats, houses and commercial buildings**

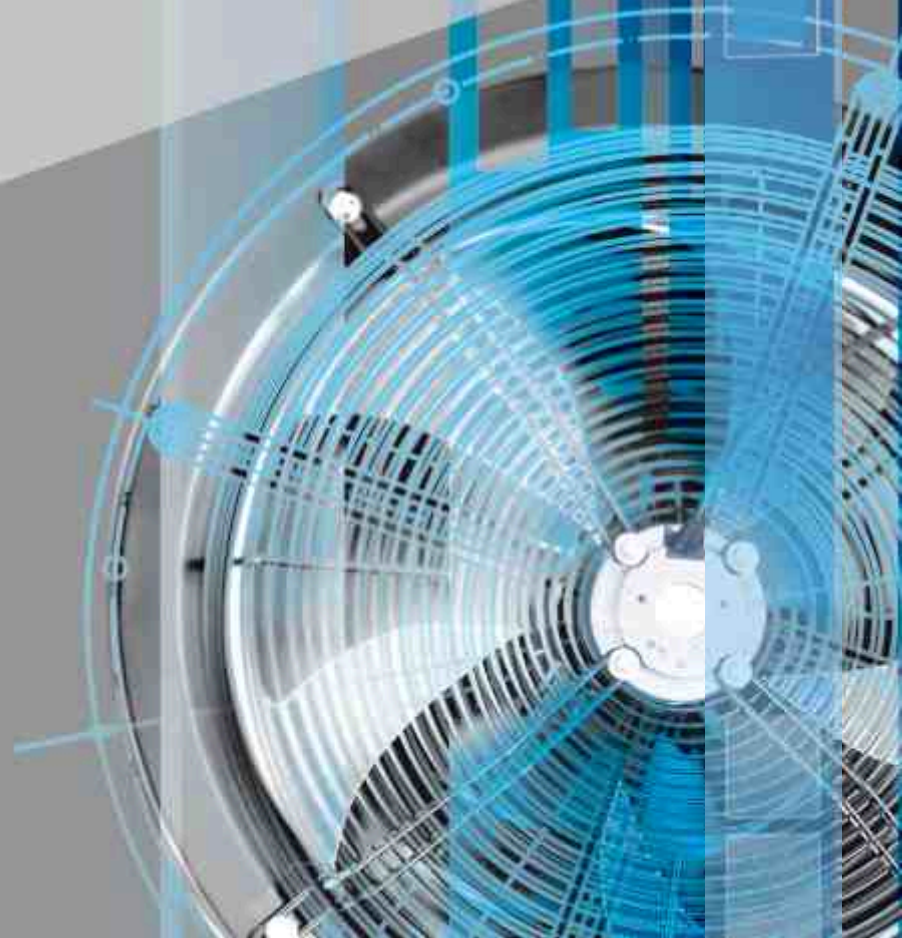
- Domestic wall, ceiling, window and duct fans
- Industrial wall, duct and roof fans
- Ventilation grills (air grates, circular air diffusers, access door, deflectors, aluminium, ducts, ventilation flexible ducts, accessories, etc.)
- Dospel System

### **DOSPEL Comfort - ventilation systems for individual buildings**

- Systems for hot air distribution (fireplace systems)
- Central Ventilation System including heat recovery
- Accessories

### **DOSPEL Professional - equipment and installations for industrial ventilation**

- Ventilation and air - conditioning central systems,
- Air Handling Units - air cooling and heating units,
- Roof and duct fans,
- Systems of ventilation ducts.
- Accessory's and both automatic and manual control systems for products that require a regulatory capacity.



CATEGORY A / DOMESTIC FANS

5-33

6 WALL FANS



• STYL



• STYL II



• POLO



• FALA KOLOR  
• FALA WATER



• XP COLOR  
• XP SILVER



• FRESH DOSPEL

24 CEILING FANS



• NV

26 WINDOW FANS



• POLO 6 OK

28 DUCT FANS



• POLO 1



• EURO



• TURBO

35-63

36 WALL FANS



• WOS



• WOKS



• WB - S



• NV, VENA



• EF

46 DUCT FANS



• EURO 0



• WK



• WK plastics



• WB



• WKS

56 ROOF FANS



• WD



• WD II



• WDD



• EURO 0D

65-107

66 VENTILATION GRILLS



• KR



• KRZ



• KMZ



• RKZ



• DL



• DL RW  
• DLZ



• D W  
• D RW

CATEGORY B - INDUSTRIAL FANS

### CATEGORY D - DOSPEL SYSTEM AND ACCESSORIES



• D/15 WR



• DR



• WWO



• D/LP  
• D/LPP



• D/UMP  
• D/UMO



• KZP



• D/AKO



• WWK



• D/KLZ



• D/O  
• D/P



• KRO



• D/AKP



• WWS/1  
• WWS/2



• D/KO  
• D/PW



• DRE  
• D/ŁO



• DOSPEL BELLA



• D/AKK



• WWS Ø150/1  
• WWS Ø150/2



• D/KPO



• D/ZK  
• D/ZD



• KOS



• KK



• WWO/Ł



• D/KPI

### 133 VENTILATION FLEXIBLE DUCTS



• KKS

### 98 DEFLECTORS

### 105 AIR DIFFUSERS



• D/UKP  
• D/UZP



• ALUFLEKS



• KR D



• TRN

### 106 GRILLS OF THE DOOR



• AN



• D/UKO  
• D/UOP

### 136 ACCESSORIES



• D/14 OW



• TWIST



• KD



• D/TP  
• D/TO



• RKO



• RP /RN

DOSPEL Comfort  
DOSPEL Professional

## THE GROUP OF DOMESTIC FANS INCLUDES:



### Wall fans

are used to transfer the air out of a room by a system of ventilation shafts and ducts.



### Ceiling fans

use ball bearings in their motors to ensure their longevity and smooth, quiet running.



### Window fans

allow for the installation of advanced axial fans in windows, through the actual panes of glass. These fans are used as an effective alternative ventilation system.



### Duct fans

are used to transfer or increase the air flow inside ventilation ducts.

# DOMESTIC FANS

DOSPEL domestic fans are universal fans. They are widely used for the ventilation of bathrooms, kitchens, toilets, as well as offices, houses, flats. There are four typical sizes of fans produced for ventilation ducts, diameters being 100, 120, 150, 200 mm. Fan casings are made of high quality ABS plastic with an antistatic additive, this prevents dust accumulating on the casing.

Most of the models are manufactured with IP X4 protection class.

In Dospel fans there are motors with ball bearings and slide bearings used. A motor with ball bearings extends the working life of the fan, reduces the noise and can be installed at a desired angle. Fans with slide bearings can only be installed in a vertical position, (either within or on a wall).

## AVAILABLE VERSIONS OF DOSPEL DOMESTIC FANS:

- S** - standard version.
- WP** - pull cord switch\*.
- WC** - adjustable timer that can be set manually for the time of 2 to 23 minutes.
- WCH** - adjustable humidistat - the fan starts and continues to run through an inbuilt timer after the humidity level is reached (from 2 to 23 minutes).
- PIR** - Passive Infra Red - movement sensor - the fan starts after movement is detected in a specified area and continues to work for a time determined by an adjustable timer (from 2 to 23 minutes).
- AŽ** - automatic shutters open after the fan is started, and they close automatically after it is switched off and block further air inlet (the response time is about 40 seconds).
- K** - backdraught shutter which prevents reverse air flow.
- L** - motors with ball bearings are quieter and have an extended working life, these can be installed in any position. It can be installed at an optional angle.

\* available with wire and plug

# STYL

- STYL Ø100
- STYL Ø120
- STYL Ø150
- STYL Ø200



Axial fans of the STYL line

Typical sizes available:  
Ø100, Ø120, Ø150, Ø200

Possible versions:

S - standard

WP - pull cord switch\*

WC - adjustable timer

Additional functions:

K - backdraught shutter

(only for versions Ø100, Ø120)

L - a motor with ball bearings,  
only for versions Ø100, Ø120, Ø150  
(can be installed in any position)

Available colours:

- white
- graphite (only for a version Ø100)
- golden (only for a version Ø100)
- silver (only for a version Ø100)

Material:

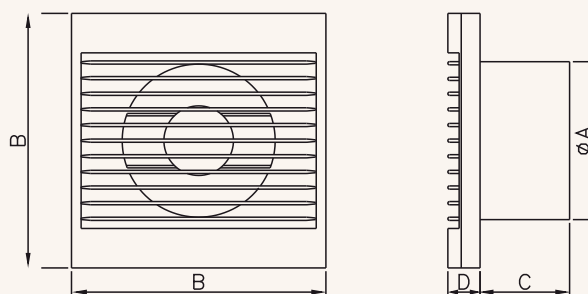
STYL Ø200: ABS,  
STYL Ø100, Ø120, Ø150: ABS/PP.

\* available with wire and plug

This is an early product line and has proven to be very popular. STYL fans have a modern design, are user friendly and every model is equipped with a fly screen.

STYL fans Ø200 are available in two versions with a motor of two speeds; they can work in high or low gear, depending on the users requirements (280 or 400 m<sup>3</sup>/h).

## TECHNICAL DRAWING



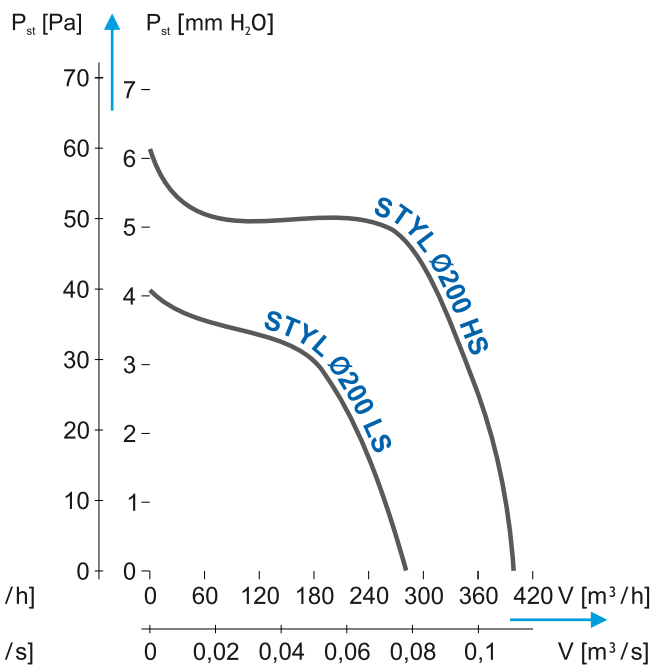
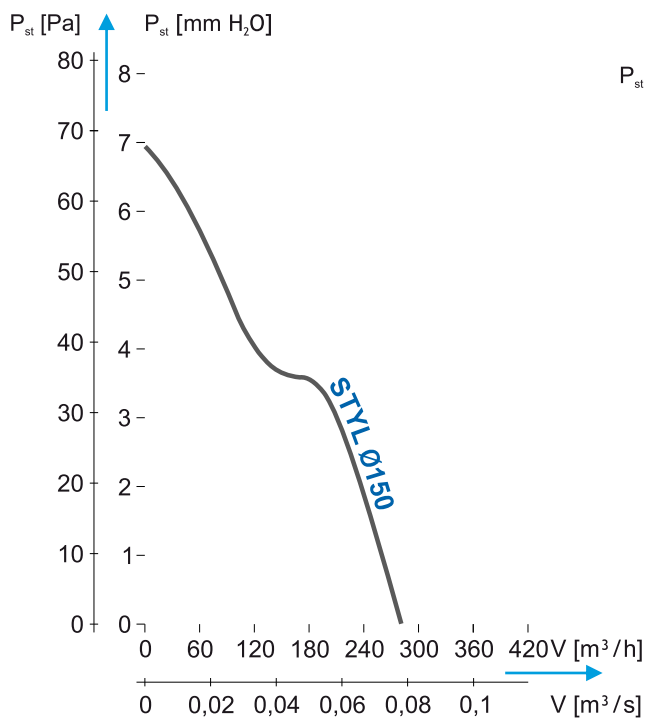
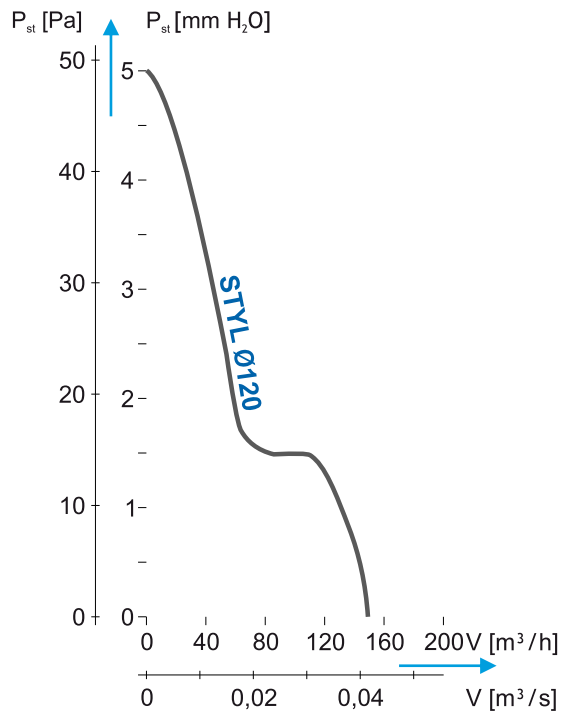
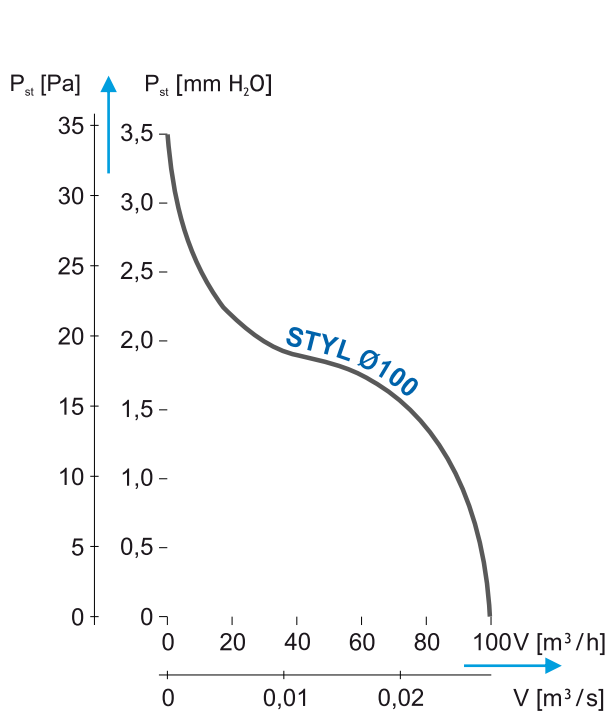
	ØA	B	C	D
STYL Ø100	98	157	56	20
STYL Ø120	118	157	56	20
STYL Ø150	148	200	75	20
STYL Ø200	198	260	80	20

## TECHNICAL DATA

Model	Air flow [m <sup>3</sup> /h]	Static pressure [Pa]	Static pressure [mmH <sub>2</sub> O]	Acoustic pressure [dB(A) 1 m]	Power supply voltage [V/Hz]	Motor speed [rpm]	Power [W]	Power consumption [A]	Max. working temperature [°C]	Weight [kg]	Motor protection rated [IP]	Insulation class
STYL Ø100	100	34	3,47	40	230/50	2650	15	0,10	40	0,50	X4	□
STYL Ø120	150	49	4,99	46	230/50	2650	20	0,11	40	0,60	X4	□
STYL Ø150	280	68	6,93	47	230/50	2650	25	0,15	40	0,70	X4	□
STYL Ø200	HS	400	60	6,12	230/50	2500	35	0,22	40	1,00	X2	□
	LS	280	40	4,08		2100	23	0,15				

HS - high speed  
LS - low speed





# STYL

STYL Ø100  
 STYL Ø120  
 STYL Ø150  
 STYL Ø200

Model	EAN	Item number	Colour	Bulk packaging
STYL Ø100 S	590 2289 00102	007 - 0001	white	20 pcs.
STYL Ø100 SK	590 2289 00097	007 - 0290	white	20 pcs.
STYL Ø100 SL	590 7466 67343	007 - 1291	white	20 pcs.
STYL Ø100 SKL	590 7466 67344	007 - 1292	white	20 pcs.
STYL Ø100 S	590 2289 00090	007 - 0442	silver	20 pcs.
STYL Ø100 SK	590 2289 00088	007 - 0630	silver	20 pcs.
STYL Ø100 SL	590 7466 67345	007 - 1293	silver	20 pcs.
STYL Ø100 SKL	590 7466 67346	007 - 1294	silver	20 pcs.
STYL Ø100 S	590 2289 00092	007 - 0444	golden	20 pcs.
STYL Ø100 SK	590 2289 00110	007 - 0631	golden	20 pcs.
STYL Ø100 SL	590 7466 67347	007 - 1295	golden	20 pcs.
STYL Ø100 SKL	590 7466 67348	007 - 1296	golden	20 pcs.
STYL Ø100 S	590 2289 00094	007 - 0504	graphite	20 pcs.
STYL Ø100 SK	590 2289 00111	007 - 0610	graphite	20 pcs.
STYL Ø100 SL	590 7466 67349	007 - 1297	graphite	20 pcs.
STYL Ø100 SKL	590 7466 67350	007 - 1298	graphite	20 pcs.
STYL Ø100 WP	590 2289 00108	007 - 0002	white	20 pcs.
STYL Ø100 WPK	590 2289 00099	007 - 0292	white	20 pcs.
STYL Ø100 WPL	590 7466 67351	007 - 1299	white	20 pcs.
STYL Ø100 WPKL	590 7466 67352	007 - 1300	white	20 pcs.
STYL Ø100 WP	590 2289 00091	007 - 0443	silver	20 pcs.
STYL Ø100 WPK	590 7466 67301	007 - 0309	silver	20 pcs.
STYL Ø100 WPL	590 7466 67353	007 - 1301	silver	20 pcs.
STYL Ø100 WPKL	590 7466 67354	007 - 1302	silver	20 pcs.
STYL Ø100 WP	590 2289 00093	007 - 0445	golden	20 pcs.
STYL Ø100 WPK	590 7466 67355	007 - 1303	golden	20 pcs.
STYL Ø100 WPL	590 7466 67356	007 - 1304	golden	20 pcs.

Model	EAN	Item number	Colour	Bulk packaging
STYL Ø100 WPKL	590 7466 67357	007 - 1305	golden	20 pcs.
STYL Ø100 WP	590 2289 00095	007 - 0532	graphite	20 pcs.
STYL Ø100 WPK	590 7466 67358	007 - 1306	graphite	20 pcs.
STYL Ø100 WPL	590 7466 67359	007 - 1307	graphite	20 pcs.
STYL Ø100 WPKL	590 7466 67360	007 - 1308	graphite	20 pcs.
STYL Ø100 WC	590 2289 00103	007 - 0009	white	20 pcs.
STYL Ø100 WCK	590 2289 00089	007 - 0531	white	20 pcs.
STYL Ø100 WCL	590 7466 67361	007 - 1309	white	20 pcs.
STYL Ø100 WCKL	590 7466 67362	007 - 1310	white	20 pcs.
STYL Ø120 S	590 2289 00101	007 - 0003	white	20 pcs.
STYL Ø120 SK	590 2289 00098	007 - 0289	white	20 pcs.
STYL Ø120 SL	590 7466 67363	007 - 1311	white	20 pcs.
STYL Ø120 SKL	590 7466 67364	007 - 1312	white	20 pcs.
STYL Ø120 WP	590 2289 00100	007 - 0004	white	20 pcs.
STYL Ø120 WPK	590 2289 00107	007 - 0285	white	20 pcs.
STYL Ø120 WPL	590 7466 67365	007 - 1313	white	20 pcs.
STYL Ø120 WPKL	590 7466 67366	007 - 1314	white	20 pcs.
STYL Ø120 WC	590 2289 00104	007 - 0010	white	20 pcs.
STYL Ø120 WCK	590 7466 67095	007 - 1049	white	20 pcs.
STYL Ø120 WCL	590 7466 67368	007 - 1316	white	20 pcs.
STYL Ø120 WCKL	590 7466 67369	007 - 1317	white	20 pcs.
STYL Ø150 S	590 2289 00167	007 - 0005	white	20 pcs.
STYL Ø150 SL	590 7466 67370	007 - 1318	white	20 pcs.
STYL Ø150 WP	590 2289 00168	007 - 0006	white	20 pcs.
STYL Ø150 WPL	590 7466 67371	007 - 1319	white	20 pcs.
STYL Ø150 WC	590 2289 00105	007 - 0335	white	20 pcs.
STYL Ø150 WCL	590 7466 67372	007 - 1320	white	20 pcs.
STYL Ø200 S	590 2289 00169	007 - 0007	white	20 pcs.
STYL Ø200 WP	590 2289 00170	007 - 0008	white	20 pcs.
STYL Ø200 WC	590 2289 00106	007 - 0305	white	20 pcs.

## STYL II

STYL II Ø100  
STYL II Ø120  
STYL II Ø150



Axial fans of the STYL II line

**Typical sizes available:**

Ø100, Ø120, Ø150

**Possible versions:**

- S - standard
  - WC - adjustable timer
  - WCH - adjustable humidistat timer
- Additional functions:**
- L - a motor with ball bearings (can be installed in any position)

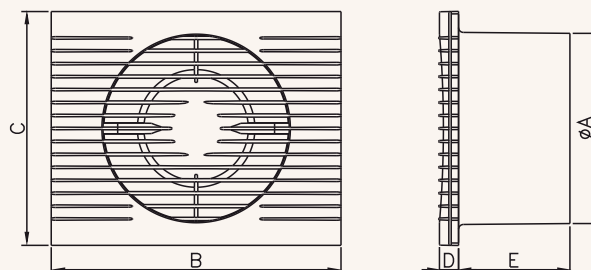
**Available colours:**

- white

**Material:** ABS

The STYL II fan combines the best values of its predecessor, STYL, i.e. the low noise level, a high efficiency and high quality material. This antistatic additive prevents dust adhesion. These positive attributes have been combined in the subtle design and technical solutions the STYL II range.

### TECHNICAL DRAWING

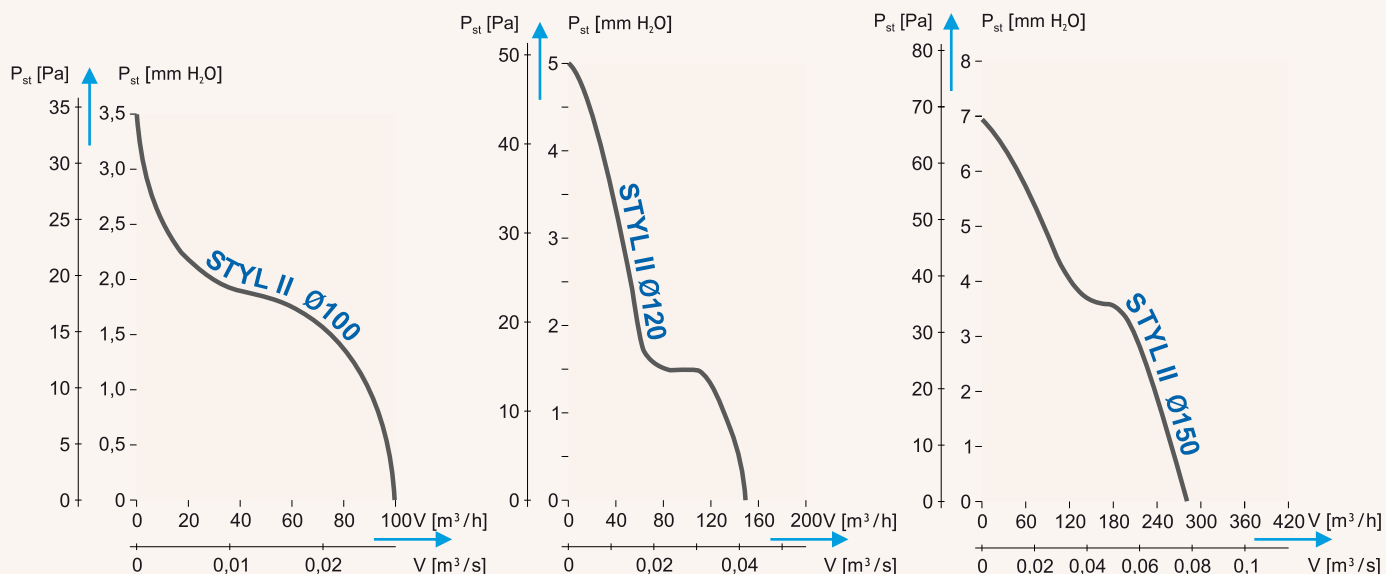


	ØA	B	C	D	E
STYL II Ø100	98	156	124	11	70
STYL II Ø120	118	178	144	12	69
STYL II Ø150	148	216	174	12	76

### TECHNICAL DATA

Model	Air flow [m <sup>3</sup> /h]	Static pressure [Pa]	Static pressure [mmH <sub>2</sub> O]	Acoustic pressure [dB(A) 1 m]	Power supply voltage [V/Hz]	Motor speed [rpm]	Power [W]	Power consumption [A]	Max. working temperature [°C]	Weight [kg]	Motor protection rated [IP]	Insulation class
STYL II Ø100	100	34	3,47	40	230/50	2650	15	0,10	40	0,41	X4	□
STYL II Ø120	150	49	4,99	46	230/50	2650	20	0,11	40	0,52	X4	□
STYL II Ø150	280	68	6,93	47	230/50	2650	25	0,15	40	0,64	X4	□

\* with humidistat X2



Model	EAN	Item number	Colour	Bulk packaging
STYL II Ø100 S	590 7466 67156	007 - 1128	white	20 pcs.
STYL II Ø100 SL	590 7466 67376	007 - 1324	white	20 pcs.
STYL II Ø100 WC	590 7466 67157	007 - 1129	white	20 pcs.
STYL II Ø100 WCL	590 7466 67377	007 - 1325	white	20 pcs.
STYL II Ø100 WCH	590 7466 67158	007 - 1130	white	20 pcs.
STYL II Ø100 WCHL	590 7466 67378	007 - 1326	white	20 pcs.
STYL II Ø120 S	590 7466 67159	007 - 1131	white	20 pcs.
STYL II Ø120 SL	590 7466 67379	007 - 1327	white	20 pcs.
STYL II Ø120 WC	590 7466 67160	007 - 1132	white	20 pcs.
STYL II Ø120 WCL	590 7466 67380	007 - 1328	white	20 pcs.
STYL II Ø120 WCH	590 7466 67161	007 - 1133	white	20 pcs.
STYL II Ø120 WCHL	590 7466 67381	007 - 1329	white	20 pcs.
STYL II Ø150 S	590 7466 67162	007 - 1134	white	10 pcs.
STYL II Ø150 SL	590 7466 67382	007 - 1330	white	10 pcs.
STYL II Ø150 WC	590 7466 67163	007 - 1135	white	10 pcs.
STYL II Ø150 WCL	590 7466 67383	007 - 1331	white	10 pcs.
STYL II Ø150 WCH	590 7466 67164	007 - 1136	white	10 pcs.
STYL II Ø150 WCHL	590 7466 67384	007 - 1332	white	10 pcs.

# POLO

POLO 4 Ø100  
 POLO 5 Ø120  
 POLO 6 Ø150



Axial fans of the POLO line

**Typical sizes available:**

Ø100, Ø120, Ø150

**Possible versions:**

- S - standard
- WP - pull cord switch\*
- WC - adjustable timer
- WCH - adjustable humidistat timer
- PIR - Passive Infra Red (movement sensor)
- AŽ - automatic shutter

**Additional functions:**

- L - a motor with ball bearings (can be installed in any position)

**Available colours:**

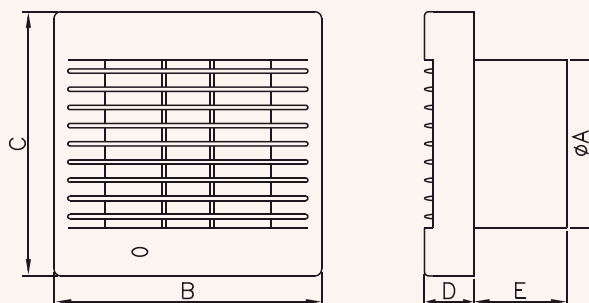
- white

**Material:** ABS.

\* available with wire and plug

Automatic Shutters are available as an option with this product. These close to prevent the reverse air flow into a room when the fan is switched off. With a great choice of additional functions even the most demanding of customers can select the appropriate range of fan for their needs.

## TECHNICAL DRAWING

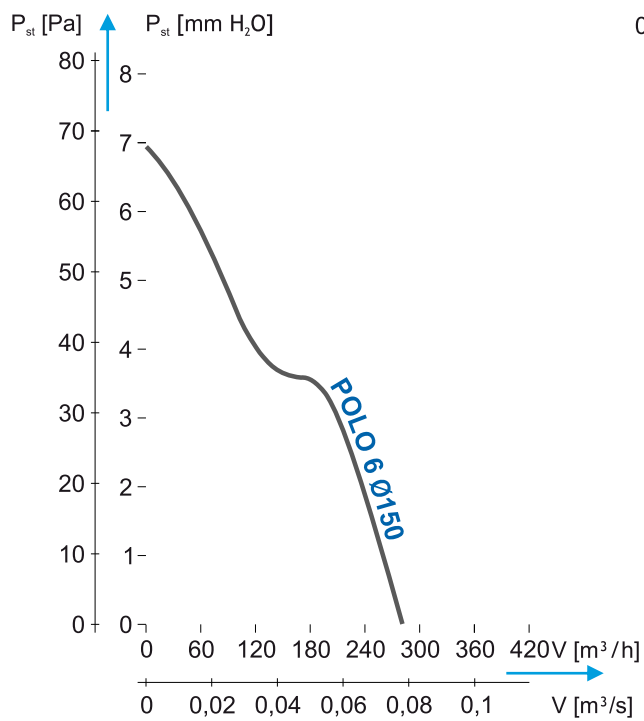
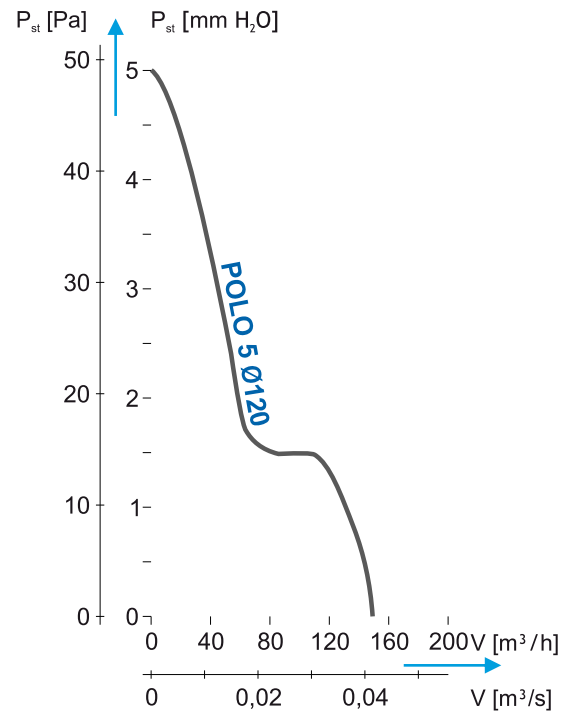
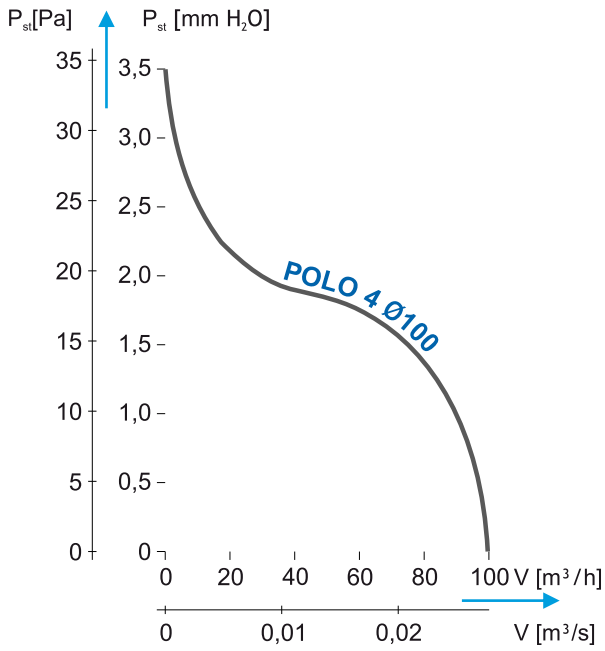


	ØA	B	C	D	E
POLO 4 Ø100	98	156	154	29	55
POLO 5 Ø120	118	179	178	31	59
POLO 6 Ø150	148	209	208	31	69

## TECHNICAL DATA

Model	Air flow [m <sup>3</sup> /h]	Static pressure [Pa]	Static pressure [mmH <sub>2</sub> O]	Acoustic pressure [dB(A) 1 m]	Power supply voltage [V/Hz]	Motor speed [rpm]	Power [W]	Power consumption [A]	Max. working temperature [°C]	Weight [kg]	Motor protection rated [IP]	Insulation class
POLO 4 Ø100	100	34	3,47	40	230/50	2650	15	0,10	40	0,50	X4	□
POLO 5 Ø120	150	49	4,99	46	230/50	2650	20	0,11	40	0,60	X4	□
POLO 6 Ø150	280	68	6,93	47	230/50	2650	25	0,15	40	0,70	X4	□

\* with humidistat X2



# POLO

POLO 4 Ø100  
POLO 5 Ø120  
POLO 6 Ø150

Model	EAN	Item number	Colour	Bulk packaging
POLO 4 Ø100 S	590 2289 00121	007 - 0054	white	10 pcs.
POLO 4 Ø100 SL	590 7466 67385	007 - 1333	white	10 pcs.
POLO 4 Ø100 WP	590 2289 00123	007 - 0056	white	10 pcs.
POLO 4 Ø100 WPL	590 7466 67386	007 - 1334	white	10 pcs.
POLO 4 Ø100 WC	590 2289 00125	007 - 0058	white	10 pcs.
POLO 4 Ø100 WCL	590 7466 67387	007 - 1335	white	10 pcs.
POLO 4 Ø100 WCWP	590 2289 00127	007 - 0059	white	10 pcs.
POLO 4 Ø100 WCWPL	590 7466 67388	007 - 1336	white	10 pcs.
POLO 4 Ø100 WCH	590 2289 00135	007 - 0061	white	10 pcs.
POLO 4 Ø100 WCHL	590 7466 67389	007 - 1337	white	10 pcs.
POLO 4 Ø100 PIR	590 2289 00085	007 - 0390	white	10 pcs.
POLO 4 Ø100 PIRL	590 7466 67390	007 - 1338	white	10 pcs.
POLO 4 Ø100 AŽ	590 2289 00112	007 - 0055	white	10 pcs.
POLO 4 Ø100 AŽL	590 7466 67391	007 - 1339	white	10 pcs.
POLO 4 Ø100 AŽWP	590 2289 00131	007 - 0057	white	10 pcs.
POLO 4 Ø100 AŽWPL	590 7466 67392	007 - 1340	white	10 pcs.
POLO 4 Ø100 AŽWC	590 2289 00129	007 - 0284	white	10 pcs.
POLO 4 Ø100 AŽWCL	590 7466 67393	007 - 1341	white	10 pcs.
POLO 4 Ø100 AŽWCWP	590 2289 00133	007 - 0060	white	10 pcs.
POLO 4 Ø100 AŽWCWPL	590 7466 67394	007 - 1342	white	10 pcs.
POLO 4 Ø100 AŽWCH	590 2289 00139	007 - 0275	white	10 pcs.
POLO 4 Ø100 AŽWCHL	590 7466 67395	007 - 1343	white	10 pcs.
POLO 4 Ø100 AŽPIR	590 2289 00086	007 - 0391	white	10 pcs.
POLO 4 Ø100 AŽPIRL	590 7466 67396	007 - 1344	white	10 pcs.
POLO 5 Ø120 S	590 2289 00221	007 - 0036	white	10 pcs.
POLO 5 Ø120 SL	590 7466 67397	007 - 1345	white	10 pcs.
POLO 5 Ø120 WP	590 2289 00222	007 - 0168	white	10 pcs.
POLO 5 Ø120 WPL	590 7466 67398	007 - 1346	white	10 pcs.
POLO 5 Ø120 WC	590 2289 00223	007 - 0037	white	10 pcs.
POLO 5 Ø120 WCL	590 7466 67399	007 - 1347	white	10 pcs.
POLO 5 Ø120 WCWP	590 2289 00224	007 - 0167	white	10 pcs.
POLO 5 Ø120 WCWPL	590 7466 67400	007 - 1349	white	10 pcs.
POLO 5 Ø120 WCH	590 2289 00225	007 - 0114	white	10 pcs.
POLO 5 Ø120 WCHL	590 7466 67401	007 - 1350	white	10 pcs.



Model	EAN	Item number	Colour	Bulk packaging
POLO 5 Ø120 PIR	590 2289 00257	007 - 0482	white	10 pcs.
POLO 5 Ø120 PIRL	590 7466 67402	007 - 1351	white	10 pcs.
POLO 5 Ø120 AŽ	590 2289 00229	007 - 0028	white	10 pcs.
POLO 5 Ø120 AŽL	590 7466 67403	007 - 1352	white	10 pcs.
POLO 5 Ø120 AŽWP	590 2289 00230	007 - 0034	white	10 pcs.
POLO 5 Ø120 AŽWPL	590 7466 67404	007 - 1353	white	10 pcs.
POLO 5 Ø120 AŽWC	590 2289 00236	007 - 0030	white	10 pcs.
POLO 5 Ø120 AŽWCL	590 7466 67405	007 - 1354	white	10 pcs.
POLO 5 Ø120 AŽWCWP	590 2289 00231	007 - 0033	white	10 pcs.
POLO 5 Ø120 AŽWCWPL	590 7466 67406	007 - 1355	white	10 pcs.
POLO 5 Ø120 AŽWCH	590 2289 00234	007 - 0032	white	10 pcs.
POLO 5 Ø120 AŽWCHL	590 7466 67407	007 - 1356	white	10 pcs.
POLO 5 Ø120 AŽPIR	590 2289 00082	007 - 0678	white	10 pcs.
POLO 5 Ø120 AŽPIRL	590 7466 67408	007 - 1357	white	10 pcs.
POLO 6 Ø150 S	590 2289 00237	007 - 0241	white	10 pcs.
POLO 6 Ø150 SL	590 7466 67409	007 - 1358	white	10 pcs.
POLO 6 Ø150 WP	590 2289 00238	007 - 0293	white	10 pcs.
POLO 6 Ø150 WPL	590 7466 67410	007 - 1359	white	10 pcs.
POLO 6 Ø150 WC	590 2289 00239	007 - 0242	white	10 pcs.
POLO 6 Ø150 WCL	590 7466 67411	007 - 1360	white	10 pcs.
POLO 6 Ø150 WCWP	590 2289 00240	007 - 0273	white	10 pcs.
POLO 6 Ø150 WCWPL	590 7466 67412	007 - 1361	white	10 pcs.
POLO 6 Ø150 WCH	590 2289 00241	007 - 0270	white	10 pcs.
POLO 6 Ø150 WCHL	590 7466 67413	007 - 1362	white	10 pcs.
POLO 6 Ø150 PIR	590 2289 00077	007 - 0676	white	10 pcs.
POLO 6 Ø150 PIRL	590 7466 67414	007 - 1363	white	10 pcs.
POLO 6 Ø150 AŽ	590 2289 00245	007 - 0204	white	10 pcs.
POLO 6 Ø150 AŽL	590 7466 67415	007 - 1364	white	10 pcs.
POLO 6 Ø150 AŽWP	590 2289 00246	007 - 0232	white	10 pcs.
POLO 6 Ø150 AŽWPL	590 7466 67416	007 - 1365	white	10 pcs.
POLO 6 Ø150 AŽWC	590 2289 00252	007 - 0206	white	10 pcs.
POLO 6 Ø150 AŽWCL	590 7466 67417	007 - 1366	white	10 pcs.
POLO 6 Ø150 AŽWCWP	590 2289 00247	007 - 0231	white	10 pcs.
POLO 6 Ø150 AŽWCWPL	590 7466 67418	007 - 1367	white	10 pcs.
POLO 6 Ø150 AŽWCH	590 2289 00250	007 - 0229	white	10 pcs.
POLO 6 Ø150 AŽWCHL	590 7466 67419	007 - 1368	white	10 pcs.
POLO 6 Ø150 AŽPIR	590 2289 00083	007 - 0677	white	10 pcs.
POLO 6 Ø150 AŽPIRL	590 7466 67420	007 - 1369	white	10 pcs.

# FALA COLOR FALA WATER 12V

FALA COLOR Ø100  
FALA WATER 12V Ø100



FALA COLOR axial fans and FALA WATER 12V line

Typical sizes available:

Ø100

Possible versions:

S - standard

WP - pull cord switch\*

Additional functions (FALA COLOR):

K - backdraught shutter

L - a motor with ball bearings

(can be installed in any position)

Available colours:

- white
- willow green
- peach
- light yellow
- beige

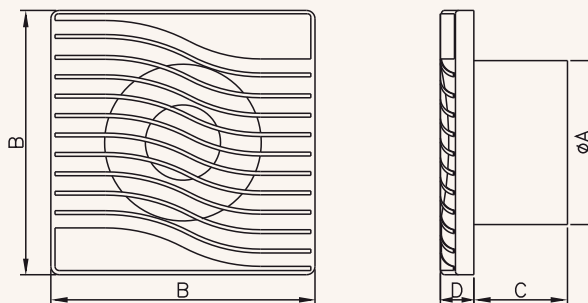
Material: ABS/PP

\* available with wire and plug

FALA COLOR axial fans: universal air extract fans in a wide range of colours, together with a modern wave design.

The FALA WATER range has a 12Volt supply from the mains. This guarantees safety for users in high humidity conditions, and when there is a possibility of water intrusion.

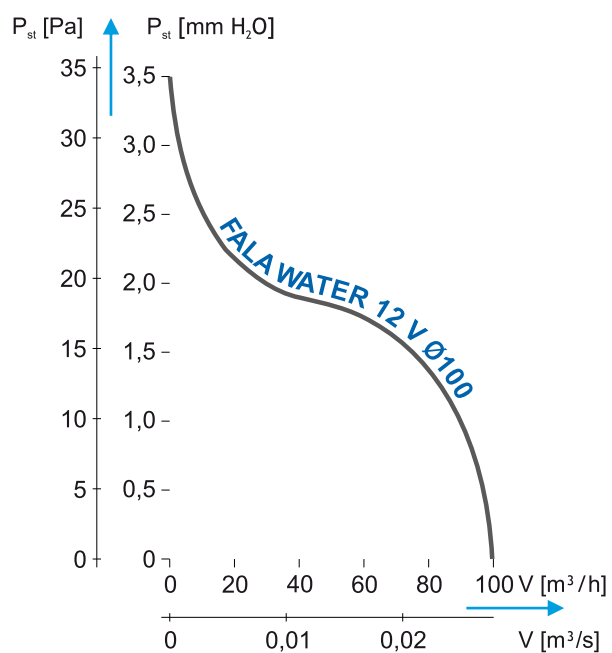
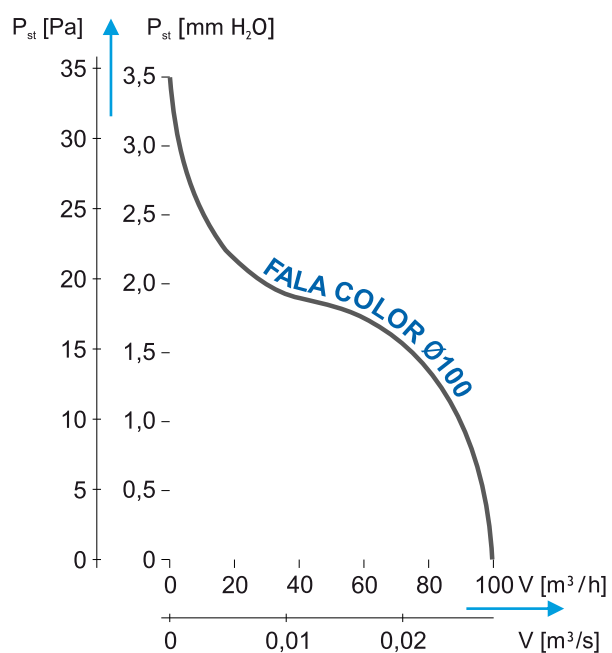
## TECHNICAL DRAWING



	ØA	B	C	D
FALA COLOR Ø100	98	157	56	20
FALA WATER 12V Ø100				

## TECHNICAL DATA

Model	Air flow [m <sup>3</sup> /h]	Static pressure [Pa]	Static pressure [mmH <sub>2</sub> O]	Acoustic pressure [dB(A) 1 m]	Power supply voltage [V/Hz]	Motor speed [rpm]	Power [W]	Power consumption [A]	Max. working temperature [°C]	Weight [kg]	Motor protection rated [IP]	Insulation class
FALA COLOR Ø100	100	34	3,5	40	230/50	2650	15	0,10	40	0,50	X4	□
FALA WATER 12V Ø100	100	34	3,5	40	~12/50	2650	15	0,10	40	0,50	X4	□



# FALA COLOR FALA WATER 12V

FALA COLOR Ø100  
FALA WATER 12V Ø100

Model	EAN	Item number	Colour	Bulk packaging
FALA COLOR Ø100 S	590 2289 00001	007 - 0011	white	20 pcs.
FALA COLOR Ø100 SK	590 2289 00048	007 - 0448	white	20 pcs.
FALA COLOR Ø100 SL	590 7466 67421	007 - 1370	white	20 pcs.
FALA COLOR Ø100 SKL	590 7466 67422	007 - 1380	white	20 pcs.
FALA COLOR Ø100 S	590 2289 00005	007 - 0015	willow green	20 pcs.
FALA COLOR Ø100 SK	590 7466 67423	007 - 1381	willow green	20 pcs.
FALA COLOR Ø100 SL	590 7466 67424	007 - 1382	willow green	20 pcs.
FALA COLOR Ø100 SKL	590 7466 67425	007 - 1383	willow green	20 pcs.
FALA COLOR Ø100 S	590 2289 00012	007 - 0017	peach	20 pcs.
FALA COLOR Ø100 SK	590 7466 67426	007 - 1384	peach	20 pcs.
FALA COLOR Ø100 SL	590 7466 67427	007 - 1385	peach	20 pcs.
FALA COLOR Ø100 SKL	590 7466 67428	007 - 1386	peach	20 pcs.
FALA COLOR Ø100 S	590 2289 00035	007 - 0039	light yellow	20 pcs.
FALA COLOR Ø100 SK	590 7466 67429	007 - 1387	light yellow	20 pcs.
FALA COLOR Ø100 SL	590 7466 67430	007 - 1388	light yellow	20 pcs.
FALA COLOR Ø100 SKL	590 7466 67431	007 - 1389	light yellow	20 pcs.
FALA COLOR Ø100 S	590 2289 00033	007 - 0043	beige	20 pcs.
FALA COLOR Ø100 SK	590 7466 67432	007 - 1390	beige	20 pcs.
FALA COLOR Ø100 SL	590 7466 67433	007 - 1391	beige	20 pcs.
FALA COLOR Ø100 SKL	590 7466 67434	007 - 1392	beige	20 pcs.
FALA COLOR Ø100 WP	590 2289 00002	007 - 0012	white	20 pcs.
FALA COLOR Ø100 WPK	590 2289 00047	007 - 0584	white	20 pcs.
FALA COLOR Ø100 WPL	590 7466 67447	007 - 1405	white	20 pcs.
FALA COLOR Ø100 WPLK	590 7466 67448	007 - 1406	white	20 pcs.

Model	EAN	Item number	Colour	Bulk packaging
FALA COLOR Ø100 WP	590 2289 00006	007 - 0016	willow green	20 pcs.
FALA COLOR Ø100 WPK	590 7466 67449	007 - 1407	willow green	20 pcs.
FALA COLOR Ø100 WPL	590 7466 67450	007 - 1408	willow green	20 pcs.
FALA COLOR Ø100 WPLK	590 7466 67451	007 - 1409	willow green	20 pcs.
FALA COLOR Ø100 WP	590 2289 00013	007 - 0018	peach	20 pcs.
FALA COLOR Ø100 WPK	590 7466 67452	007 - 1410	peach	20 pcs.
FALACOLOR Ø100 WPL	590 7466 67453	007 - 1411	peach	20 pcs.
FALA COLOR Ø100 WPKL	590 7466 67454	007 - 1412	peach	20 pcs.
FALA COLOR Ø100 WP	590 2289 00036	007 - 0040	light yellow	20 pcs.
FALA COLOR Ø100 WPK	590 7466 67455	007 - 1413	light yellow	20 pcs.
FALA COLOR Ø100 WPL	590 7466 67456	007 - 1414	light yellow	20 pcs.
FALA COLOR Ø100 WPKL	590 7466 67457	007 - 1415	light yellow	20 pcs.
FALA WATER 12V Ø100 S	590 2289 00007	007 - 0022	white	20 pcs.
FALA WATER 12V Ø100 S	590 2289 00025	007 - 0020	willow green	20 pcs.
FALA WATER 12V Ø100 S	590 2289 00024	007 - 0021	peach	20 pcs.
FALA WATER 12V Ø100 S	590 2289 00030	007 - 0024	light yellow	20 pcs.
FALA WATER 12V Ø100 S	590 2289 00027	007 - 0026	beige	20 pcs.

# XP COLOR

XP COLOR Ø100



Axial fans of the XP COLOR line

Typical sizes available:  
Ø100

Possible versions:

S - standard

WP - pull cord switch\*

WC - adjustable timer

Additional functions:

L - a motor with ball bearings  
(can be installed in any position)

Available colours:

- spring sun
- apricot dream
- sand of desert
- light nephrite

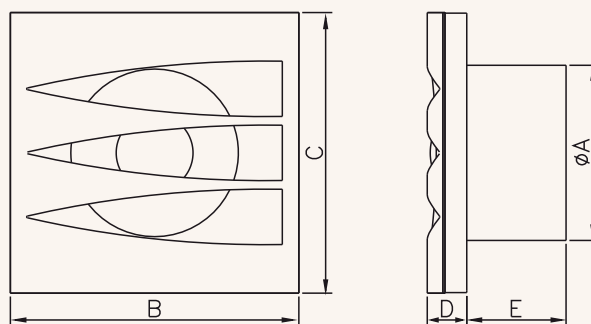
Material: ABS/PP

\* available with wire and plug

The range comes in four different colours, so they can complement the decor in a given room.

All the versions of the XP COLOR fans are equipped with a flyscreen.

## TECHNICAL DRAWING



	ØA	B	C	D	E
XP COLOR Ø100	98	162	157	22	56
XP SILVER Ø100					

## TECHNICAL DATA

Model	Air flow [m <sup>3</sup> /h]	Static pressure [Pa]	Static pressure [mmH <sub>2</sub> O]	Acoustic pressure [dB(A) 1 m]	Power supply voltage [V/Hz]	Motor speed [rpm]	Power [W]	Power consumption [A]	Max. working temperature [°C]	Weight [kg]	Motor protection rated [IP]	Insulation class
XP COLOR Ø100 XP SILVER Ø100	100	34	3,47	40	230/50	2650	15	0,10	40	0,50	X4	□



## XP SILVER

XP SILVER Ø100

Axial fans of the XP SILVER line

Typical sizes available:  
Ø100

Possible versions:

- S - standard
- WP - pull cord switch\*
- WC - adjustable timer

Additional functions:

- L - a motor with ball bearings  
(can be installed in any position)

Available colours:

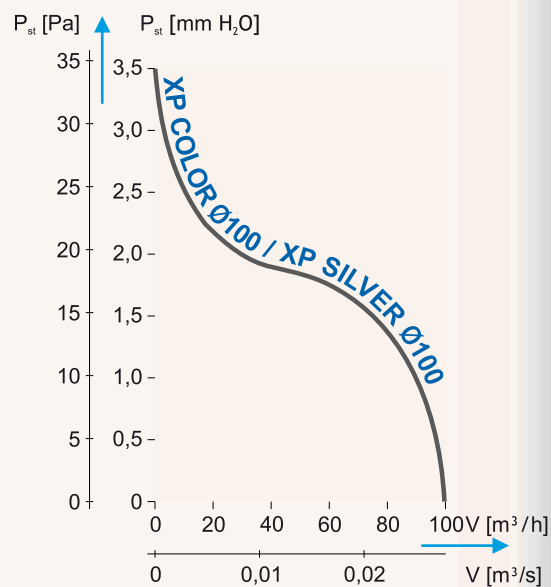
- moon night
- misty morning

Material: ABS/PP

\* available with wire and plug

The XP SILVER line comes with three different shades of covers.

All the sets of the XP SILVER line are equipped with a flyscreen.



Model	EAN	Item number	Bulk packaging
XP COLOR Ø100 S	590 7466 67565	007 - 1432	10 pcs.
XP COLOR Ø100 WP	590 7466 67567	007 - 1436	10 pcs.
XP COLOR Ø100 WC	590 7466 67568	007 - 1437	10 pcs.
XP COLOR Ø100 SL	590 7466 67618	007 - 1438	10 pcs.
XP COLOR Ø100 WPL	590 7466 67619	007 - 1439	10 pcs.
XP COLOR Ø100 WCL	590 7466 67620	007 - 1440	10 pcs.
XP SILVER Ø100 S	590 7466 67569	007 - 1433	10 pcs.
XP SILVER Ø100 WP	590 7466 67570	007 - 1434	10 pcs.
XP SILVER Ø100 WC	590 7466 67571	007 - 1435	10 pcs.
XP SILVER Ø100 SL	590 7466 67621	007 - 1441	10 pcs.
XP SILVER Ø100 WPL	590 7466 67622	007 - 1442	10 pcs.
XP SILVER Ø100 WCL	590 7466 67623	007 - 1443	10 pcs.

## FRESH DOSPEL

FRESH DOSPEL Ø100  
FRESH DOSPEL Ø120



FRESH DOSPEL axial fans

### TECHNICAL DRAWING

Typical sizes available:

Ø100, Ø120

Possible versions:

S - standard

WC - adjustable timer

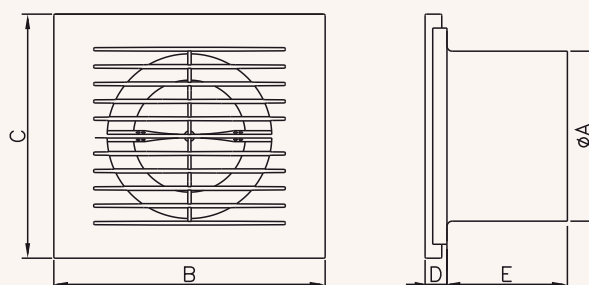
WCH - adjustable humidistat timer

Available colours:

- white

- brushed aluminium

Material: ABS, brushed aluminium



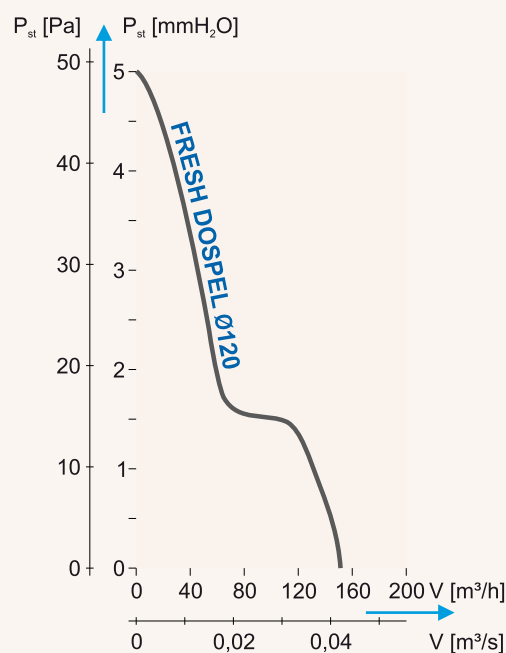
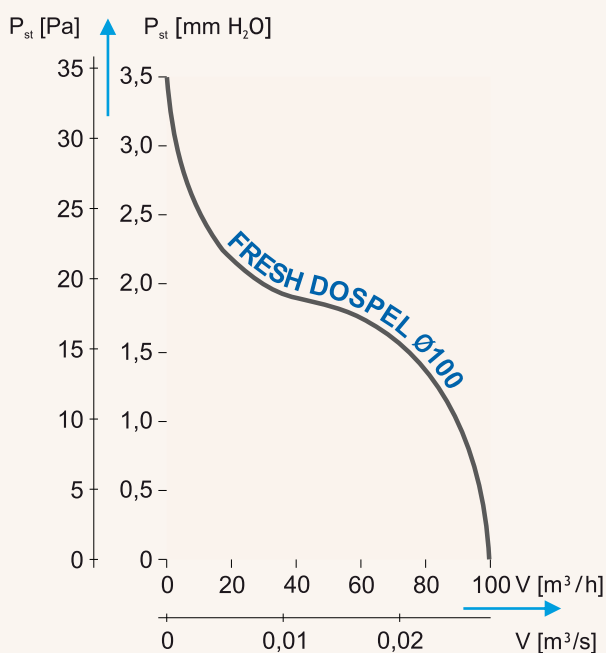
Is a recent addition to the range.  
Available as standard, with a timer,  
and with a humidistat timer.

	ØA	B	C	D	E
FRESH DOSPEL Ø100	98	156	140	12	70
FRESH DOSPEL Ø120	118	189	170	13	69

### TECHNICAL DATA

Model	Air flow [m <sup>3</sup> /h]	Static pressure [Pa]	Static pressure [mmH <sub>2</sub> O]	Acoustic pressure [dB(A) 1 m]	Power supply voltage [V/Hz]	Motor speed [rpm]	Power [W]	Power consumption [A]	Max. working temperature [°C]	Weight [kg]	Motor protection rated [IP]	Insulation class
FRESH DOSPEL Ø100	100	34	3,47	40	230/50	2650	15	0,10	40	0,50	X4	□
FRESH DOSPEL Ø120	150	49	4,99	46	230/50	2650	20	0,11	40	0,60	X4	□





Model	EAN	Item number	Colour	Bulk packaging
FRESH DOSPEL Ø100 S	590 7466 67058	007 - 0996	white	10 pcs.
FRESH DOSPEL Ø100 WC	590 7466 67057	007 - 0997	white	10 pcs.
FRESH DOSPEL Ø100 WCH	590 7466 67954	007 - 1456	white	10 pcs.
FRESH DOSPEL Ø100 S	590 6713 40573	007 - 1501	brushed aluminium	10 pcs.
FRESH DOSPEL Ø100 WC	590 6713 40574	007 - 1502	brushed aluminium	10 pcs.
FRESH DOSPEL Ø100 WCH	590 6713 40575	007 - 1503	brushed aluminium	10 pcs.
FRESH DOSPEL Ø120 S	590 6713 49995	007 - 1483	white	10 pcs.
FRESH DOSPEL Ø120 WC	590 6713 49994	007 - 1482	white	10 pcs.
FRESH DOSPEL Ø120 WCH	590 6713 49996	007 - 1484	white	10 pcs.
FRESH DOSPEL Ø120 S	590 6713 40576	007 - 1504	brushed aluminium	10 pcs.
FRESH DOSPEL Ø120 WC	590 6713 40577	007 - 1505	brushed aluminium	10 pcs.
FRESH DOSPEL Ø120 WCH	590 6713 40578	007 - 1506	brushed aluminium	10 pcs.

# NV

- NV 10 Ø100
- NV 12 Ø120
- NV 15 Ø150

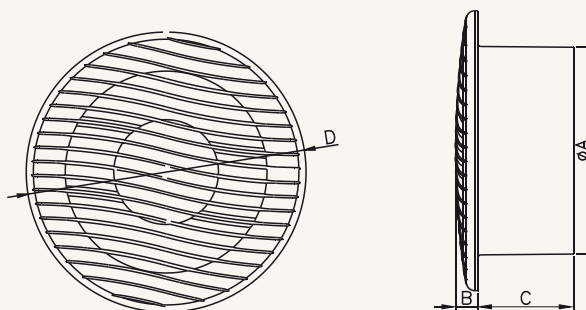


NV axial fans

- Typical sizes available:  
Ø100, Ø120, Ø150
- Possible versions:  
S - standard
- Available colours:  
- white
- Material: ABS

The standard NV fan has a ball bearing motor, which reduces noise, extends its working life, and enables the installation of the fan vertically and horizontally.

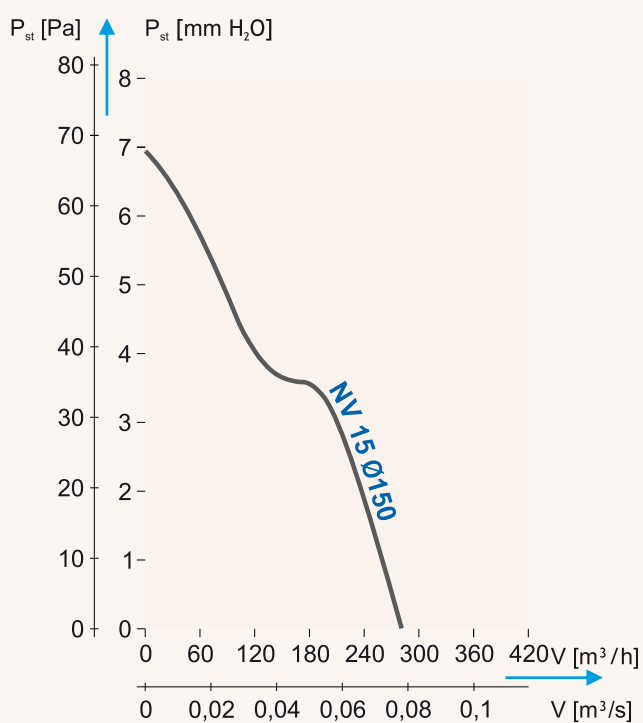
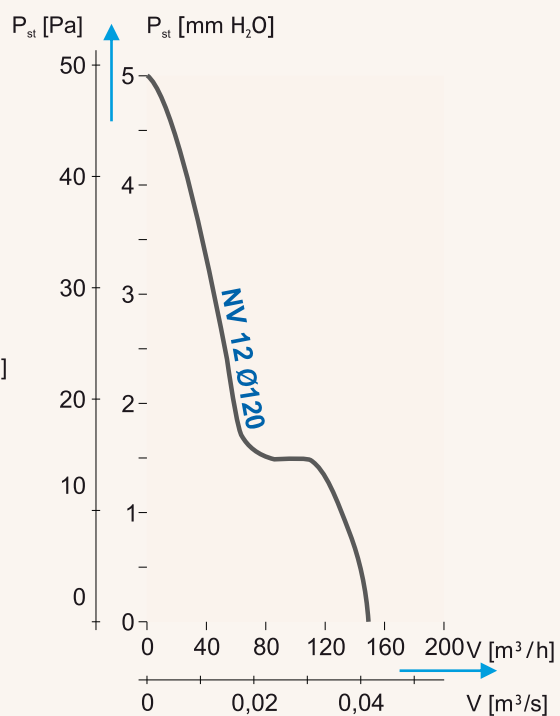
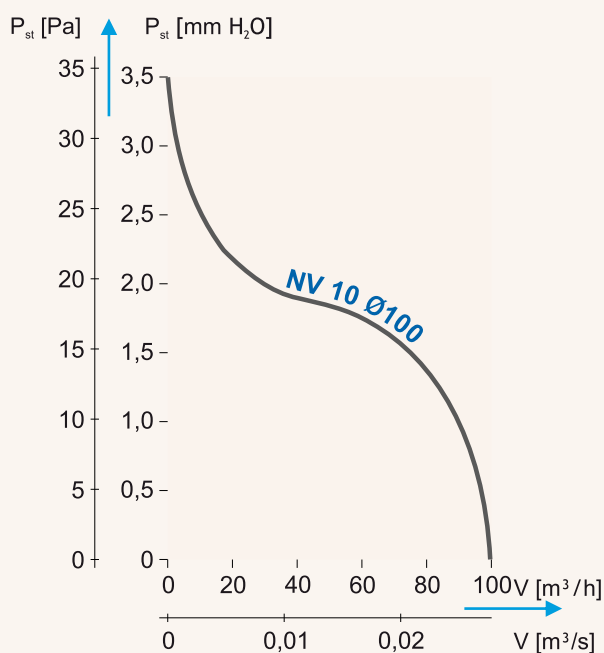
## TECHNICAL DRAWING



	ØA	B	C	D
NV 10 Ø100	99	15,5	57	132
NV 12 Ø120	119	15,5	58	156
NV 15 Ø150	149	16	69	200

## TECHNICAL DATA

Model	Air flow [m <sup>3</sup> /h]	Static pressure [Pa]	Static pressure [mmH <sub>2</sub> O]	Acoustic pressure [dB(A) 1 m]	Power supply voltage [V/Hz]	Motor speed [rpm]	Power [W]	Power consumption [A]	Max. working temperature [°C]	Weight [kg]	Motor protection rated [IP]	Insulation class
NV 10 Ø100	100	34	3,47	40	230/50	2650	15	0,10	40	0,50	X4	□
NV 12 Ø120	150	49	4,99	46	230/50	2650	20	0,11	40	0,60	X4	□
NV 15 Ø150	280	68	6,93	47	230/50	2650	25	0,15	40	0,70	X4	□



Model	EAN	Item number	Colour	Bulk packaging
NV 10 Ø100	590 2289 00114	007 - 0438	white	10 pcs.
NV 12 Ø120	590 2289 00115	007 - 0439	white	10 pcs.
NV 15 Ø150	590 2289 00116	007 - 0334	white	10 pcs.

# POLO 6 OK

POLO 6 OK Ø150



Axial fans of the POLO 6 OK line

Typical sizes available:

Ø150

Possible versions:

S - standard

WP - pull cord switch\*

WC - adjustable timer

AZ - automatic shutters

Available colours:

- white

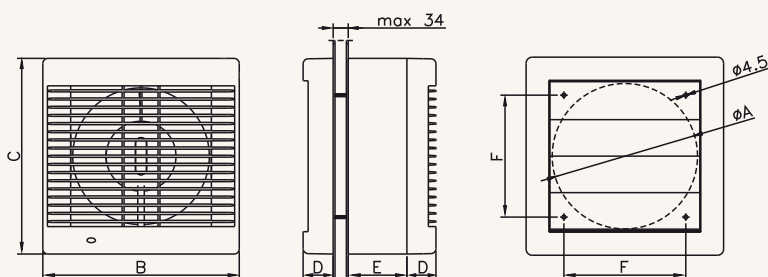
Material: ABS

\* available with wire and plug

These are for installation in windows and are an alternative to extraction through walls.

They are equipped with gravitational shutters that prevent reverse air flow and odours.

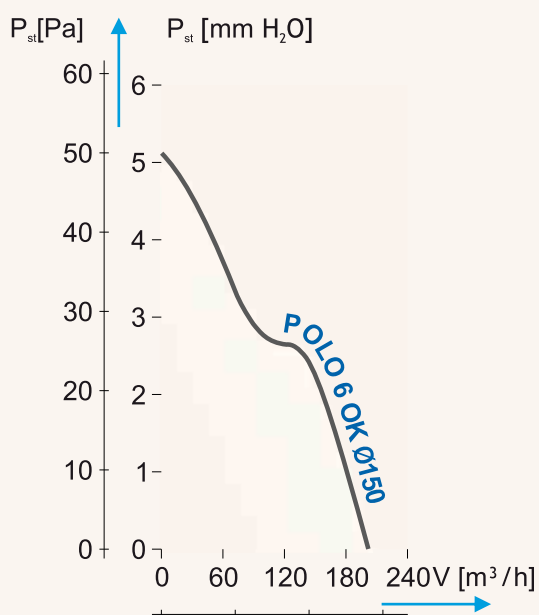
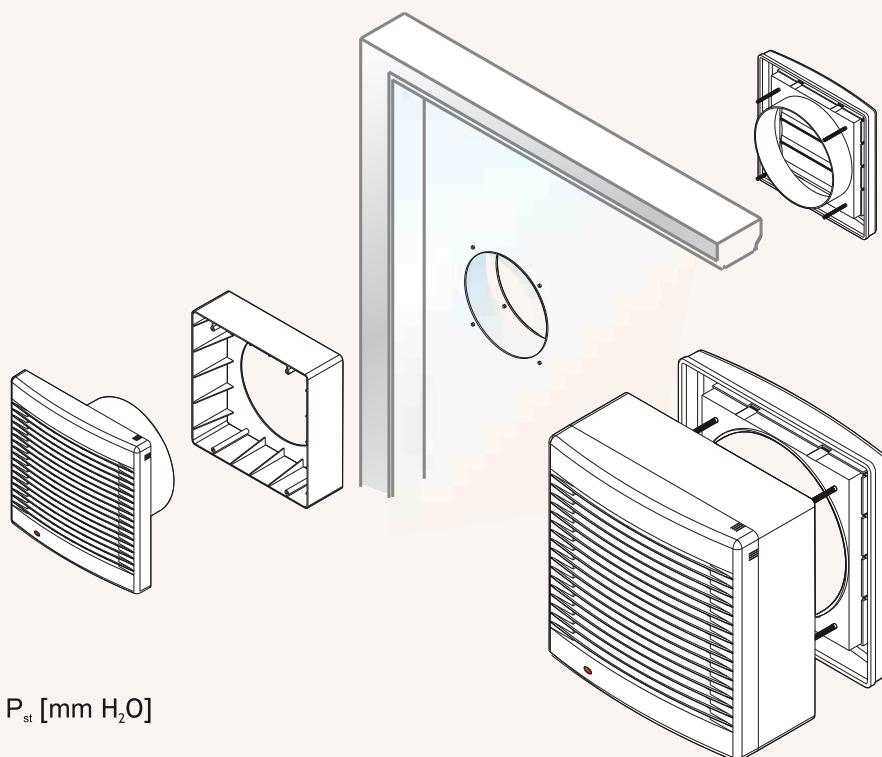
## TECHNICAL DRAWING



	ØA	B	C	D	E	F
POLO 6 OK Ø150	154	209	208	31	62	130

## TECHNICAL DATA

Model	Air flow [m³/h]	Static pressure [Pa]	Static pressure [mmH₂O]	Acoustic pressure [dB(A) 1 m]	Power supply voltage [V/Hz]	Motor speed [rpm]	Power [W]	Power consumption [A]	Max. working temperature [°C]	Weight [kg]	Motor protection rated [IP]	Insulation class
POLO 6 OK Ø150	200	50	5,10	47	230/50	2650	25	0,13	40	1,20	X4	□



Model	EAN	Item number	Colour	Bulk packaging
POLO 6 OK Ø150 S	590 2289 00253	007 - 0313	white	10 pcs.
POLO 6 OK Ø150 WP	590 2289 00254	007 - 0315	white	10 pcs.
POLO 6 OK Ø150 AŽ	590 7466 67633	007 - 1447	white	10 pcs.
POLO 6 OK Ø150 AŽWP	590 7466 67634	007 - 1448	white	10 pcs.
POLO 6 OK Ø150 AŽWC	590 7466 67635	007 - 1449	white	10 pcs.
POLO 6 OK Ø150 AŽWPWC	590 7466 67636	007 - 1450	white	10 pcs.

# POLO 1 POLO 2

POLO 1 Ø100/104 N  
POLO 1 Ø100/104 W  
POLO 2 Ø125/129 W



POLO axial fans

Typical sizes available:  
Ø100/104, Ø125/129

Possible versions:

N - air intake

W - air exhaust

Available colours:

- white

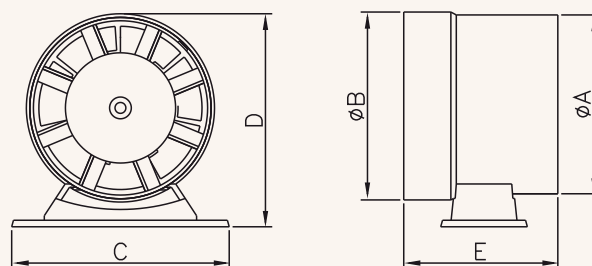
Material: ABS

The POLO 1 and POLO 2 are designed to move low to medium air flows short distances. They are installed outside the duct and have fastening points to fix the fan and the adjoining ductwork by screws.

The POLO fan is connected to circular ventilation ducts, with dimensions either side of the POLO fan at 104 and 100mm, or 125 and 129mm to enable connectivity with the duct system.

The dimensions of the POLO duct fans (Ø100/104 and Ø125/129) enable connectivity with ventilation grills, ducting and flex's as integral parts of ducting systems.

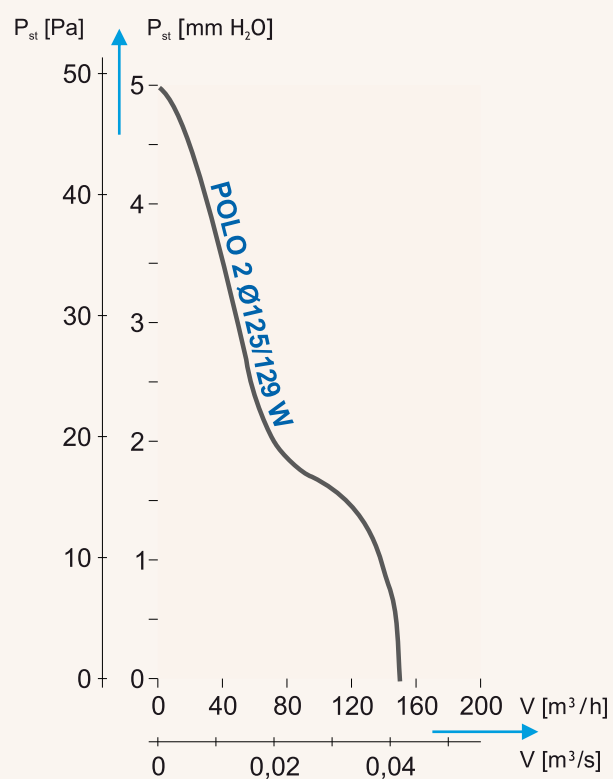
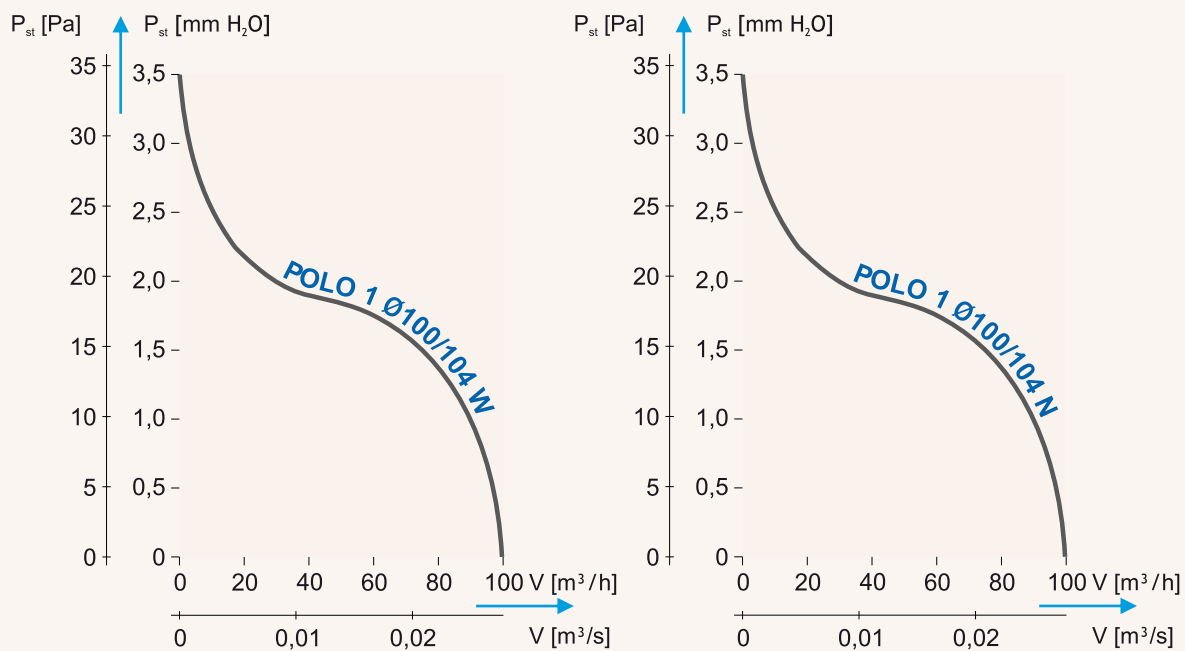
## TECHNICAL DRAWING



	ØA	ØB	C	D	E
POLO 1 Ø100/104 N	98	104	120	118	84
POLO 1 Ø100/104 W					
POLO 2 Ø125/129 W	125	132	120	148	85

## TECHNICAL DATA

Model	Air flow [m <sup>3</sup> /h]	Static pressure [Pa]	Static pressure [mmH <sub>2</sub> O]	Acoustic pressure [dB(A) 1 m]	Power supply voltage [V/Hz]	Motor speed [rpm]	Power [W]	Power consumption [A]	Max. working temperature [°C]	Weight [kg]	Motor protection rated [IP]	Insulation class
POLO 1 Ø100/104 N POLO 1 Ø100/104 W	100	34	3,47	40	230/50	2650	15	0,10	40	0,50	X2	□
POLO 2 Ø125/129 W	140	40	4,66	46	230/50	2650	20	0,11	40	0,50	X2	□



Model	EAN	Item number	Colour	Bulk packaging
POLO 1 Ø100/104 N	590 2289 00197	007 - 0023	white	10 pcs.
POLO 1 Ø100/104 W	590 2289 00175	007 - 0410	white	10 pcs.
POLO 2 Ø125/129 W	590 6713 40609	007 - 1510	white	10 pcs.

## EURO

EURO 1 Ø100  
 EURO 2 Ø120  
 EURO 3 Ø150

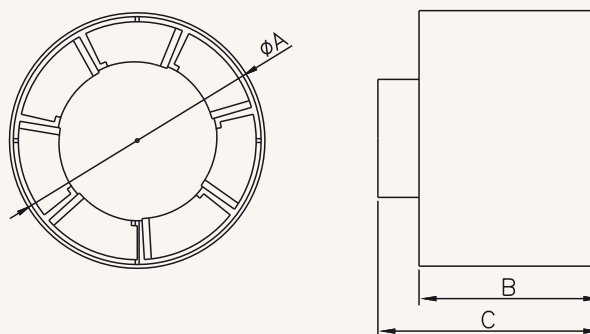


EURO axial fans

### TECHNICAL DRAWING

Typical sizes available:  
 Ø100, Ø120, Ø150  
 L – a motor with ball bearings  
 (can be installed in any position)  
 Available colours:  
 - white  
 Material: ABS

EURO axial fans are designed to move air within ducts and is fitted within the circular ducts.

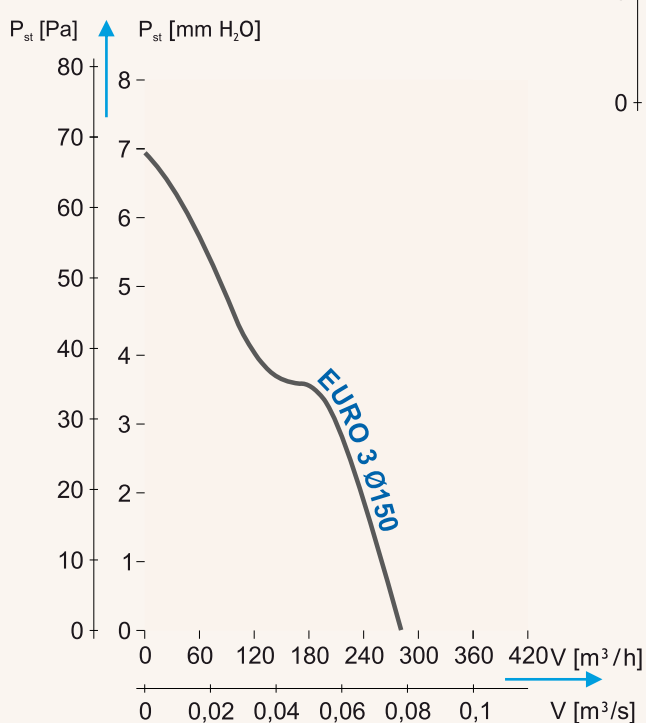
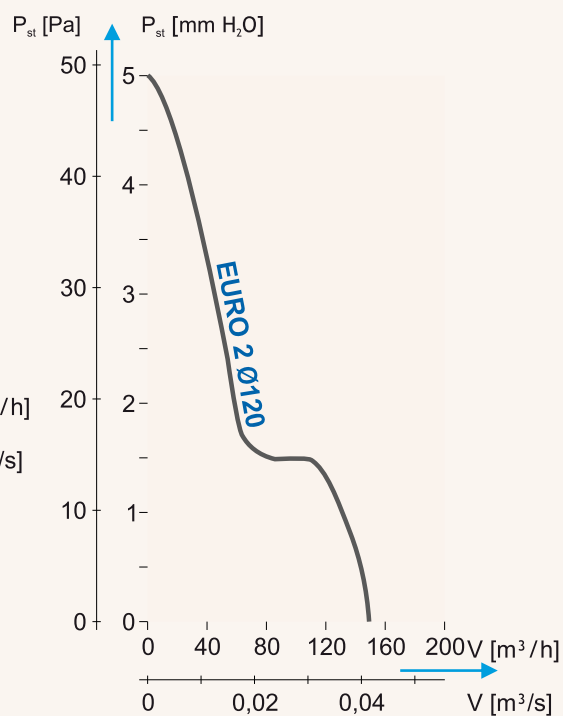
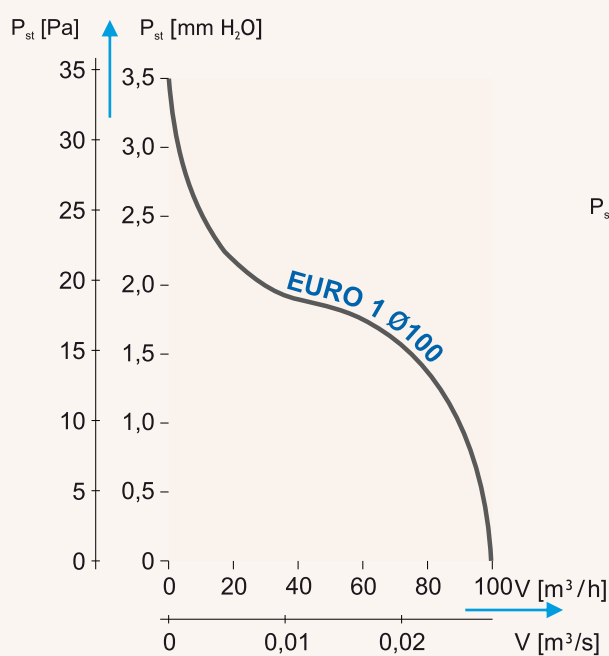


	ØA	B	C
EURO 1 Ø100	99	98	98
EURO 2 Ø120	118	83	102
EURO 3 Ø150	148	92,5	111

### TECHNICAL DATA

Model	Air flow [m <sup>3</sup> /h]	Static pressure [Pa]	Static pressure [mmH <sub>2</sub> O]	Acoustic pressure [dB(A) 1 m]	Power supply voltage [V/Hz]	Motor speed [rpm]	Power [W]	Power consumption [A]	Max. working temperature [°C]	Weight [kg]	Motor protection rated [IP]	Insulation class
EURO 1 Ø100	100	34	3,47	40	230/50	2650	15	0,10	40	0,45	X2	□
EURO 2 Ø120	150	49	4,99	46	230/50	2650	20	0,11	40	0,50	X2	□
EURO 3 Ø150	280	68	6,93	47	230/50	2650	25	0,15	40	0,55	X2	□





Model	EAN	Item number	Colour	Bulk packaging
EURO 1 Ø100	590 2289 00118	007 - 0051	white	10 pcs.
EURO 2 Ø120	590 2289 00119	007 - 0052	white	10 pcs.
EURO 3 Ø150	590 2289 00120	007 - 0053	white	10 pcs.

# TURBO

TURBO Ø100  
TURBO Ø125

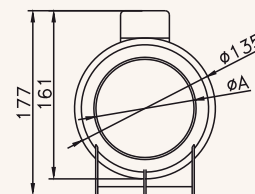
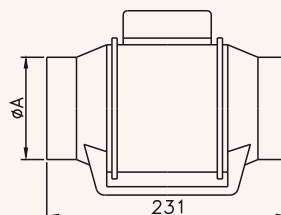
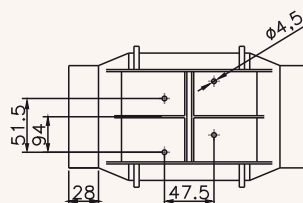


TURBO duct fans

## TECHNICAL DRAWING

Typical sizes available:  
Ø100, Ø125  
Available colours:  
- white  
Material: ABS

TURBO duct fans are available in versions with a two-speed motor; they can work in high or low gear, depending on what efficiency is required. The advantages of TURBO fans include a low noise level, high efficiency and small dimensions.

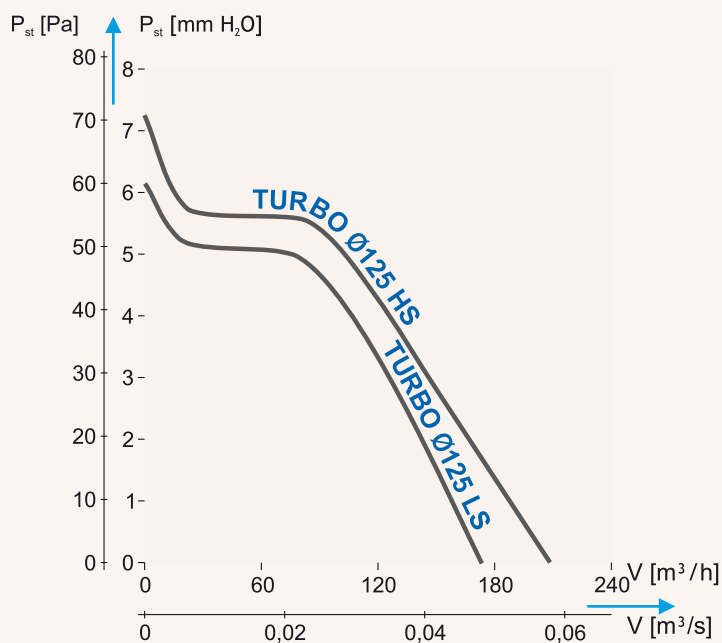
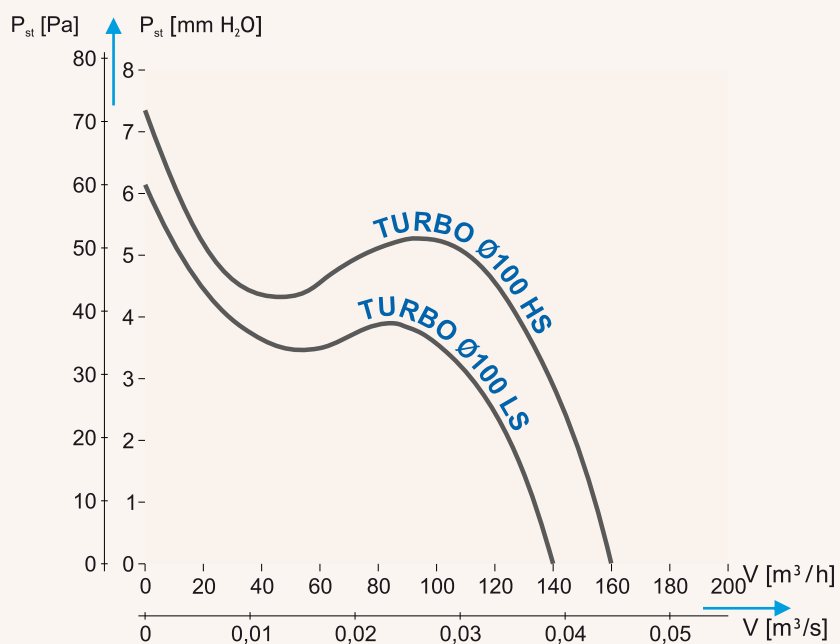


	ØA
TURBO Ø100	98
TURBO Ø125	119

## TECHNICAL DATA

Model	Air flow [m <sup>3</sup> /h]	Static pressure [Pa]	Static pressure [mmH <sub>2</sub> O]	Acoustic pressure [dB(A) 1 m]	Power supply voltage [V/Hz]	Motor speed [rpm]	Power [W]	Power consumption [A]	Max. working temperature [°C]	Weight [kg]	Motor protection rated [IP]	Insulation class
TURBO Ø100	HS	160	72	7,34	230/50	2500	43	0,20	40	1,50	X2	□
	LS	140	60	6,12		2100	28	0,13				□
TURBO Ø125	HS	210	71	7,24	230/50	2500	47	0,22	40	1,50	X2	□
	LS	170	60	6,12		2100	30	0,14				□

HS-high speed  
LS-low speed



Model	EAN	Item number	Colour	Bulk packaging
TURBO Ø100	590 2289 00171	007 - 0405	white	10 pcs.
TURBO Ø125	590 2289 00172	007 - 0406	white	10 pcs.

## THE GROUP OF INDUSTRIAL FANS INCLUDES:



### Wall fans

are easy to install and have been designed for both small and medium sized rooms.



### Duct fans

provide a constant, fluid volume of air movement in the designed ventilation system.



### Roof fans

are used to extract the air from domestic, industrial and utility buildings via the roof.

## INDUSTRIAL FANS

Industrial fans are used to ventilate housing and industrial spaces of small and medium sizes. These include detached houses, industrial spaces, swimming pools and shops.

# WOS

- WOS Ø200
- WOS Ø250
- WOS Ø300
- WOS Ø350
- WOS Ø400
- WOS Ø450



WOS axial fans

**Typical sizes available:**

- Ø200, Ø250, Ø300
- Ø350, Ø400, Ø450

**Available colours:**

- black

WOS fans have a synchronous motor, ball bearings, and a visible propeller with a protective grill.

The ball bearings ensure a quiet, long operational time of the fan. They enable the installations to be mounted both horizontally and vertically.

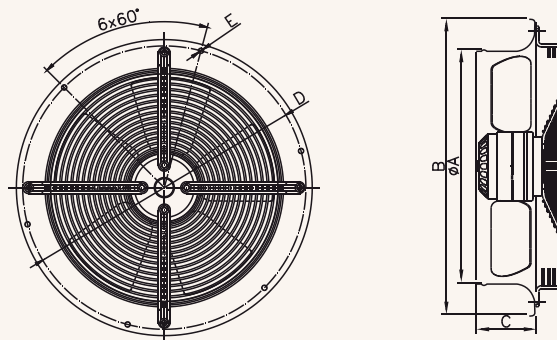
They are used to ventilate manufacturing rooms, plants, warehouses, sport centres. The volumetric efficiency range for the fans is from 890 to 5700 m<sup>3</sup>/h.

In every kind of WOS fan, the propeller is made from steel tin painted with powder paint.

**Accessories:**

It is possible to connect a speed controller, (RP 300 and RN 300). Providing the customer with variable airflow settings.

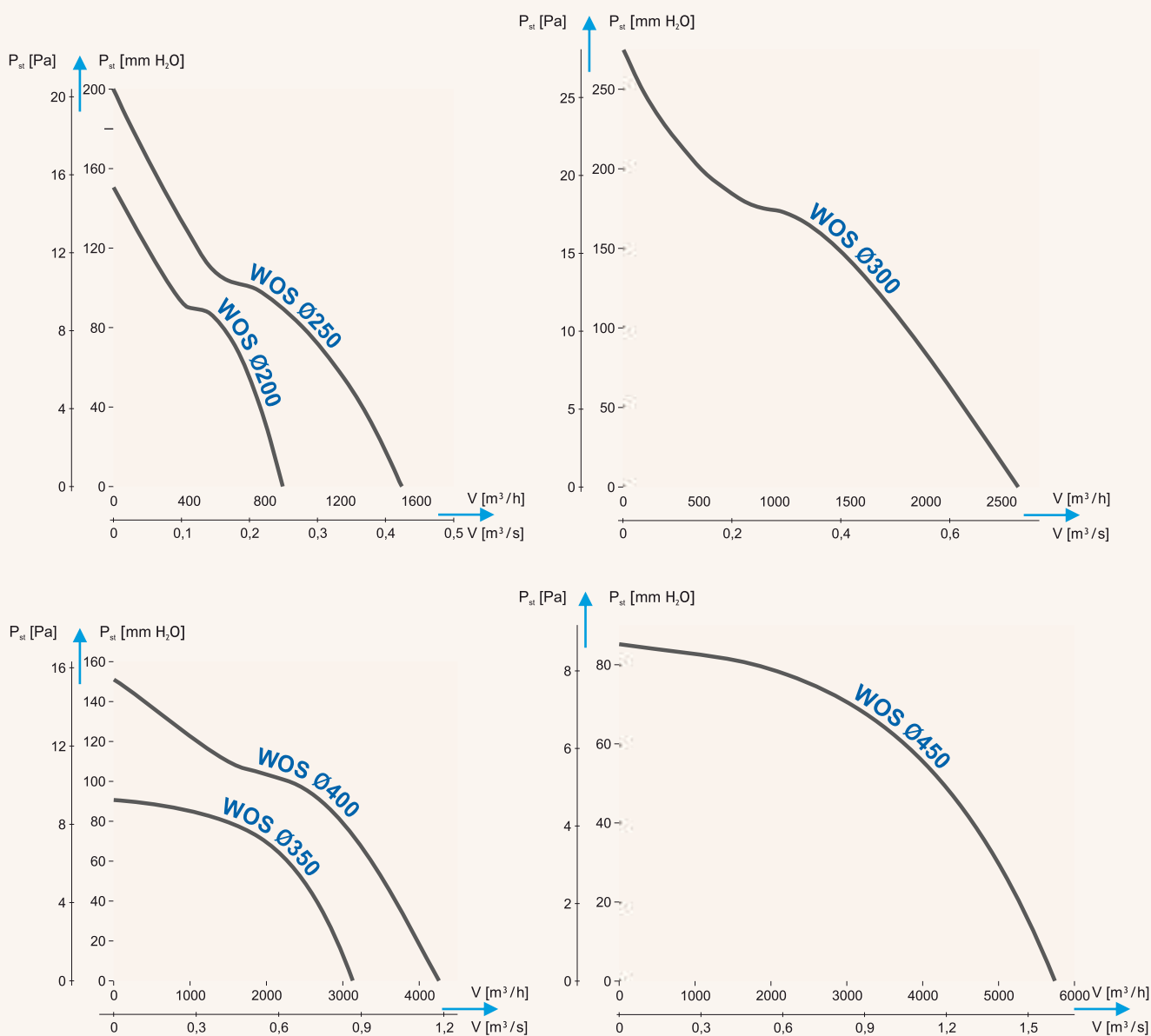
## TECHNICAL DRAWING



	ØA	B	C	D	E
WOS Ø200	205	280	80	250	7
WOS Ø250	262	320	80	290	7
WOS Ø300	315	397	80	380	9
WOS Ø350	365	460	88	442	9
WOS Ø400	410	528	100	504	9
WOS Ø450	460	607	100	578	11

## TECHNICAL DATA

Model	Air flow [m <sup>3</sup> /h]	Static pressure [Pa]	Static pressure [mmH <sub>2</sub> O]	Acoustic pressure [dB(A) 1 m]	Power supply voltage [V/Hz]	Motor speed [rpm]	Power [W]	Capacitor [µF/VDB]	Power consumption [A]	Max. working temperature [°C]	Weight [kg]	Motor protection rated [IP]	Insulation class
WOS Ø200	890	150	15,29	63	230/50	2480	68	2/400	0,30	70	2,00	44	I
WOS Ø250	1510	200	20,39	67	230/50	2480	106	4/400	0,47	70	2,90	44	I
WOS Ø300	2610	275	28,03	73	230/50	2700	180	4/400	0,79	70	4,50	44	I
WOS Ø350	3110	90	9,17	64	230/50	1400	130	4/400	0,58	45	6,50	44	I
WOS Ø400	4235	150	15,29	69	230/50	1430	160	6/400	0,73	40	8,00	44	I
WOS Ø450	5700	85	8,66	73	230/50	1400	245	8/400	1,10	40	9,60	44	I



Model	EAN	Item number	Colour	Bulk packaging
WOS Ø200	590 2289 00756	007 - 0084	black	1 pcs.
WOS Ø250	590 2289 00757	007 - 0085	black	1 pcs.
WOS Ø300	590 2289 00758	007 - 0086	black	1 pcs.
WOS Ø350	590 2289 00759	007 - 0087	black	1 pcs.
WOS Ø400	590 2289 00760	007 - 0088	black	1 pcs.
WOS Ø450	590 2289 00761	007 - 0089	black	1 pcs.

# WOKS

- WOKS Ø200
- WOKS Ø250
- WOKS Ø300
- WOKS Ø350
- WOKS Ø400
- WOKS Ø450



WOKS axial fans

**Typical sizes available:**

- Ø200, Ø250, Ø300
- Ø350, Ø400, Ø450

**Available colours:**

- black

WOKS fans have a synchronous motor, ball bearings, and a visible propeller with a protective grill.

The ball bearings ensure a quiet, long operational time of the fan and enables the installations to be mounted both horizontally and vertically.

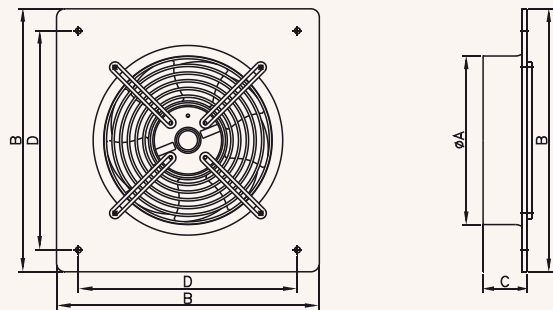
They are used to ventilate manufacturing rooms, plants, warehouses, sport centres, etc. The volumetric efficiency range of the fans is between 890 to 5700 m<sup>3</sup>/h. All WOKS fans are manufactured with powder coated metal propellers.

See the installation diagram overleaf.

**Accessories:**

It is possible to connect a speed controller, (RP 300 and RN 300). Providing the customer with variable airflow settings.

## TECHNICAL DRAWING

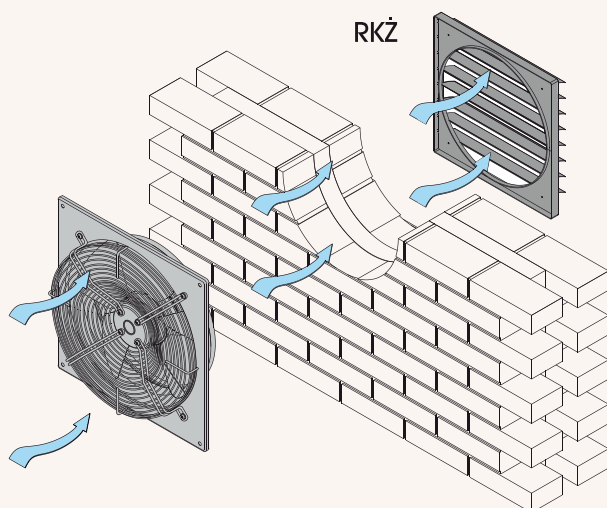


	ØA	B	C	D
WOKS Ø200	212	272	70	215
WOKS Ø250	262	365	62	315
WOKS Ø300	313	370	92	315
WOKS Ø350	360	485	88	435
WOKS Ø400	408	540	100	490
WOKS Ø450	460	575	125	535

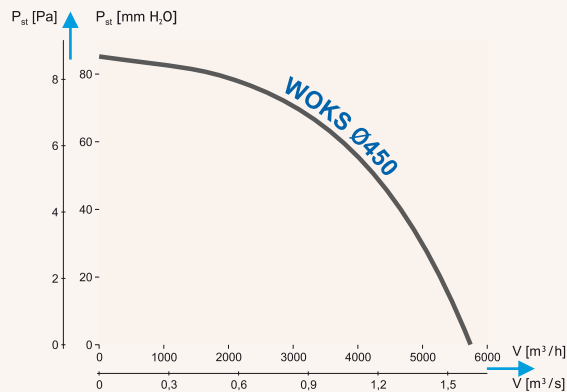
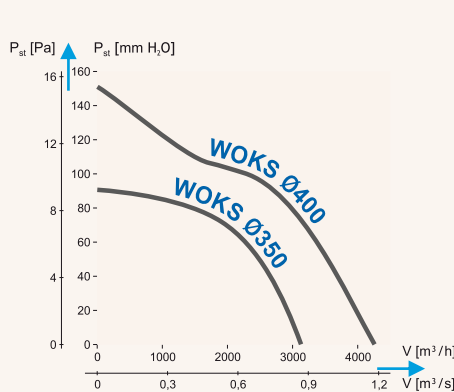
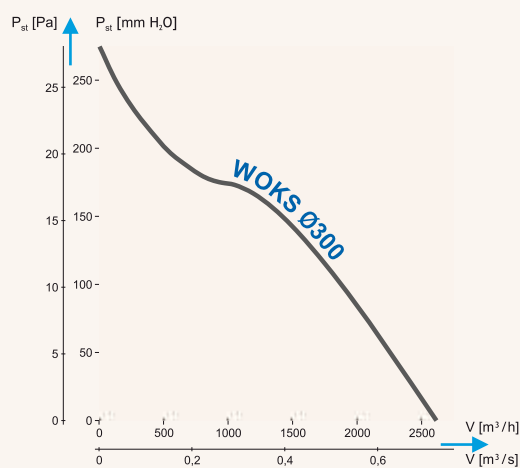
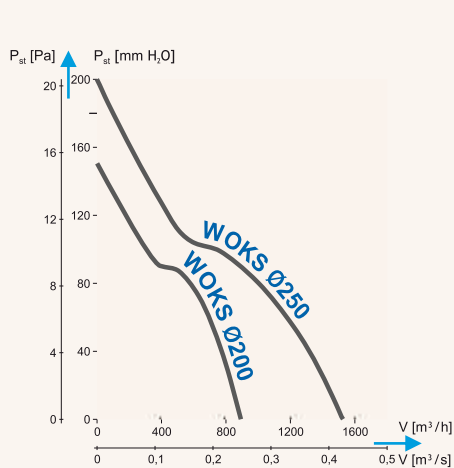
## TECHNICAL DATA

Model	Air flow [m <sup>3</sup> /h]	Static pressure [Pa]	Static pressure [mmH <sub>2</sub> O]	Acoustic pressure [dB(A) 1 m]	Power supply voltage [V/Hz]	Motor speed [rpm]	Power [W]	Capacitor [µF/VDB]	Power consumption [A]	Max. working temperature [°C]	Weight [kg]	Motor protection rated [IP]	Insulation class
WOKS Ø200	890	150	15,29	63	230/50	2480	68	2/400	0,30	70	3,50	44	I
WOKS Ø250	1510	200	20,39	67	230/50	2480	106	4/400	0,47	70	4,50	44	I
WOKS Ø300	2610	275	28,03	73	230/50	2700	180	4/400	0,79	70	6,30	44	I
WOKS Ø350	3110	90	9,17	64	230/50	1400	130	4/400	0,58	45	8,50	44	I
WOKS Ø400	4235	150	15,29	69	230/50	1430	160	6/400	0,73	40	9,50	44	I
WOKS Ø450	5700	85	8,66	73	230/50	1400	245	8/400	1,10	40	10,20	44	I





An example of an industrial WOKS fan in a buildings wall, this utilises an RKZ grill with gravitational shutters.



Model	EAN	Item number	Colour	Bulk packaging
WOKS Ø200	590 2289 00750	007 - 0090	black	1 pcs.
WOKS Ø250	590 2289 00751	007 - 0091	black	1 pcs.
WOKS Ø300	590 2289 00752	007 - 0092	black	1 pcs.
WOKS Ø350	590 2289 00753	007 - 0093	black	1 pcs.
WOKS Ø400	590 2289 00754	007 - 0094	black	1 pcs.
WOKS Ø450	590 2289 00755	007 - 0095	black	1 pcs.

## WB - S

WB - S Ø210  
 WB - S Ø240  
 WB - S Ø310



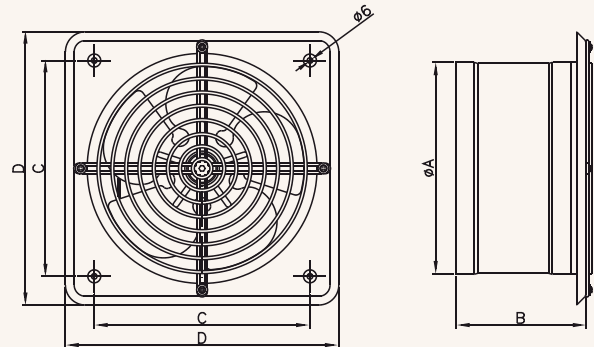
WB - S axial fans

### TECHNICAL DRAWING

Typical sizes available:  
 Ø210, Ø240, Ø310  
 Available colours:  
 - white

The WB-S range of fans are wall mounted to ventilate small rooms, such as warehouses and small industrial rooms.

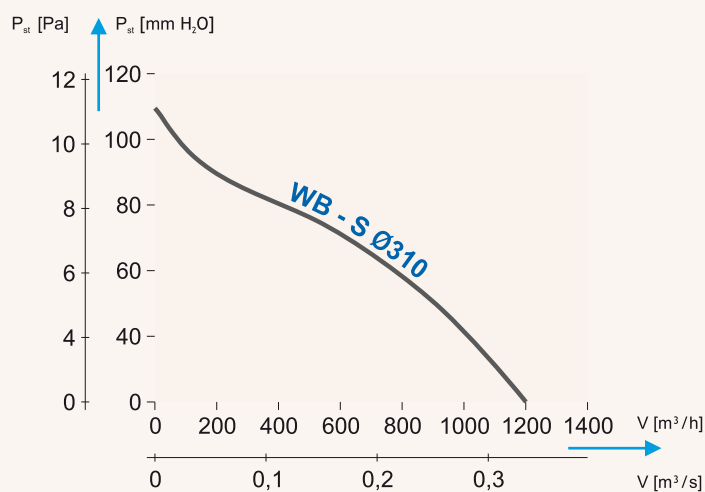
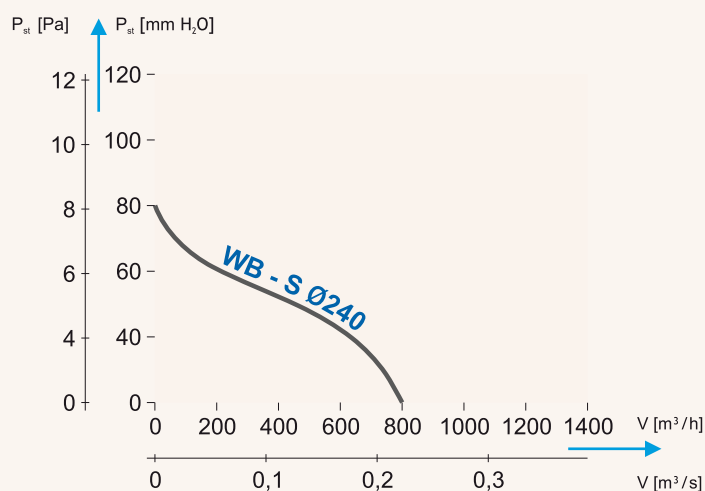
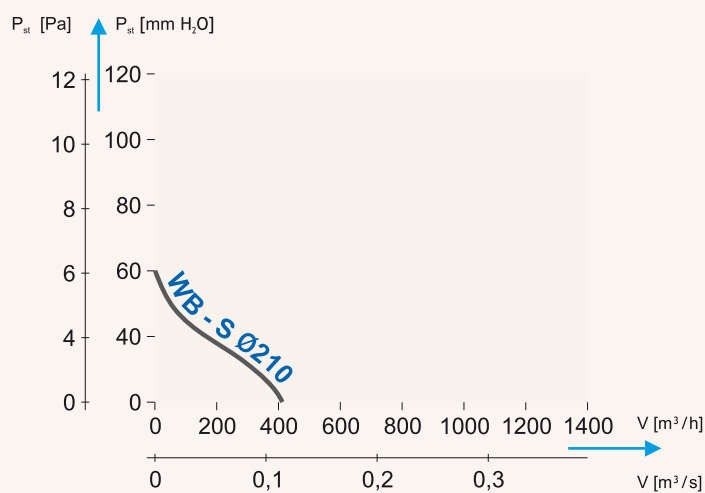
The fan casings are made from powder coated galvanized steel. The propeller is made of aluminium.



	ØA	B	C	D
WB - S Ø210	211	135	215	274
WB - S Ø240	243	135	240	298
WB - S Ø310	311	172	315	370

### TECHNICAL DATA

Model	Air flow [m <sup>3</sup> /h]	Static pressure [Pa]	Static pressure [mmH <sub>2</sub> O]	Acoustic pressure [dB(A) 1 m]	Power supply voltage [V/Hz]	Motor speed [rpm]	Power [W]	Power consumption [A]	Max. working temperature [°C]	Weight [kg]	Motor protection rated [IP]	Insulation class
WB - S Ø210	410	60	6,12	54	230/50	1400	45	0,24	42	2,4	X2	I
WB - S Ø240	800	80	8,15	57	230/50	1400	55	0,46	42	4,2	X2	I
WB - S Ø310	1200	108	11,01	62	230/50	1400	70	0,75	42	5,0	X2	I



Model	EAN	Item number	Colour	Bulk packaging
WB - S Ø210	590 2289 00693	007 - 0339	white	1 pcs.
WB - S Ø240	590 2289 00694	007 - 0340	white	1 pcs.
WB - S Ø310	590 2289 00695	007 - 0341	white	1 pcs.

# NV 20 VENA 300

NV 20 □240  
VENA 300 □290



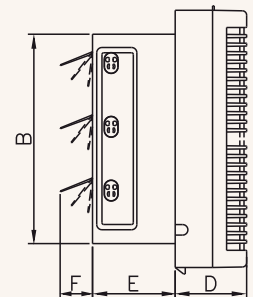
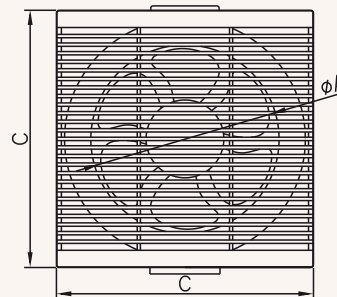
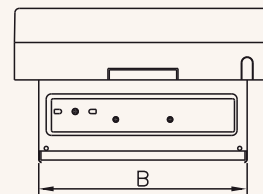
NV 20, VENA 300 axial fan

Typical sizes available:  
□240, □290  
Available colours:  
- white

The NV 20 and VENA 300 range are wall mounted. Used to ventilate small rooms, warehouses and industrial spaces.

These fans are also equipped with gravitational shutters, (activated by a pull cord), preventing reverse airflow.

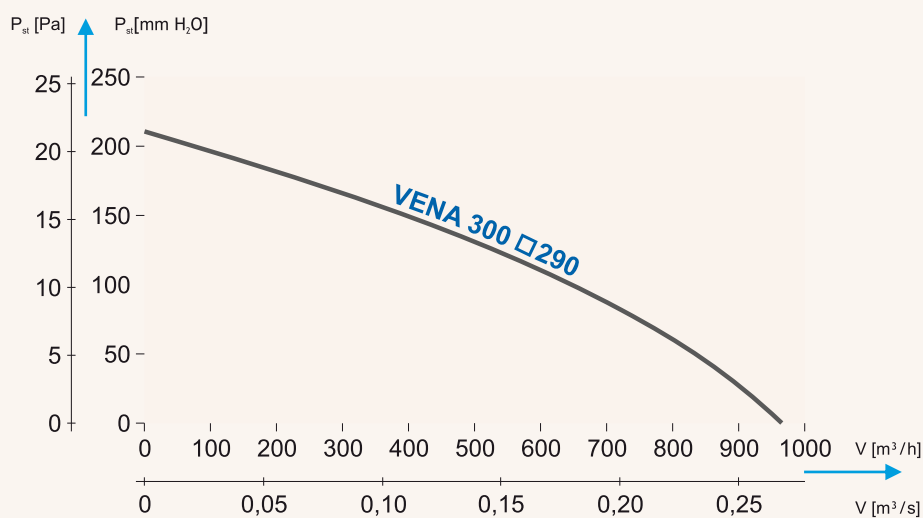
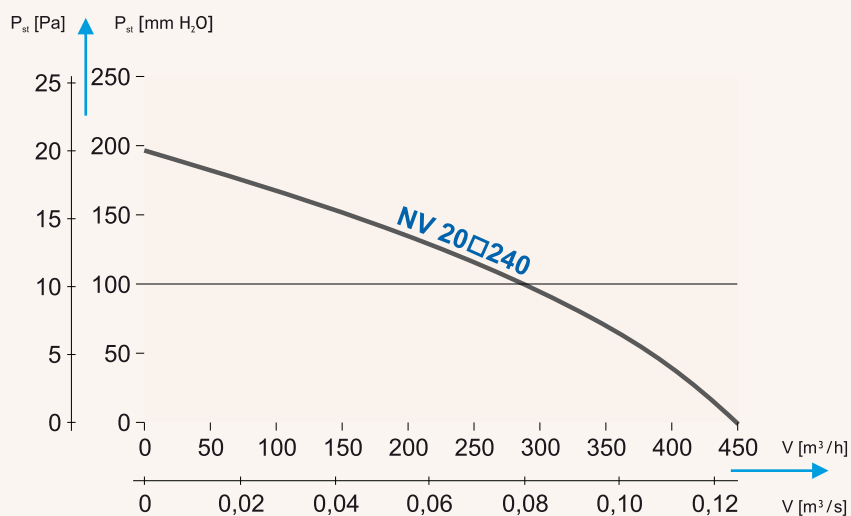
## TECHNICAL DRAWING



	ØA	B	C	D	E	F
NV 20□240	215	240	295	81	90	37
VENA 300□290	267	290	340	85	90	30

## TECHNICAL DATA

Model	Air flow [m <sup>3</sup> /h]	Static pressure [Pa]	Static pressure [mmH <sub>2</sub> O]	Acoustic pressure [dB(A) 1 m]	Power supply voltage [V/Hz]	Motor speed [rpm]	Power [W]	Power consumption [A]	Max. working temperature [°C]	Weight [kg]	Motor protection rated [IP]	Insulation class
NV 20□240	420	216	22,02	57	230/50	1420	30	0,13	40	2,50	X2	I
VENA 300□290	960	210	21,41	63	230/50	1420	50	0,16	40	3,00	X2	I



Model	EAN	Item number	Colour	Bulk packaging
NV 20 □240	590 2289 00018	007 - 0082	white	5 pcs.
VENA 300 □290	590 2289 00019	007 - 0083	white	5 pcs.

# EF

EF 200 AS □240  
EF 250 AS □290



EF 200 AS, EF 250 AS axial fans

Typical sizes available:

□240, □290

Available colours:

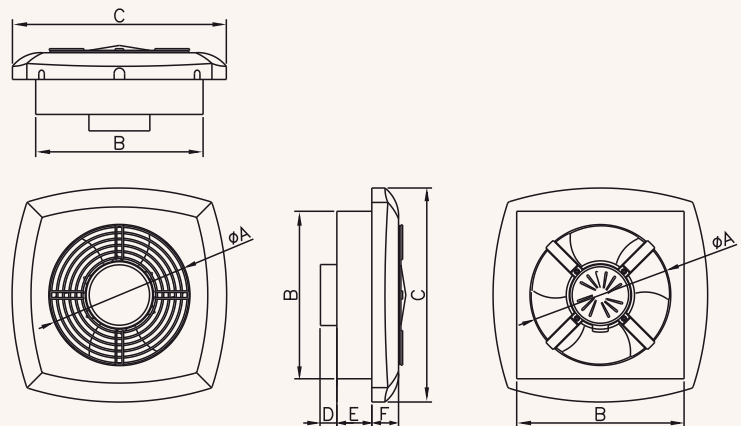
- white

The EF range of fans are used to ventilate small rooms, garages and small industrial rooms. These are designed to be installed on the wall.

The special feature of this range is to work as an intake and exhaust fan.

The blades of the fan are hidden by shutters after switching the fan off.

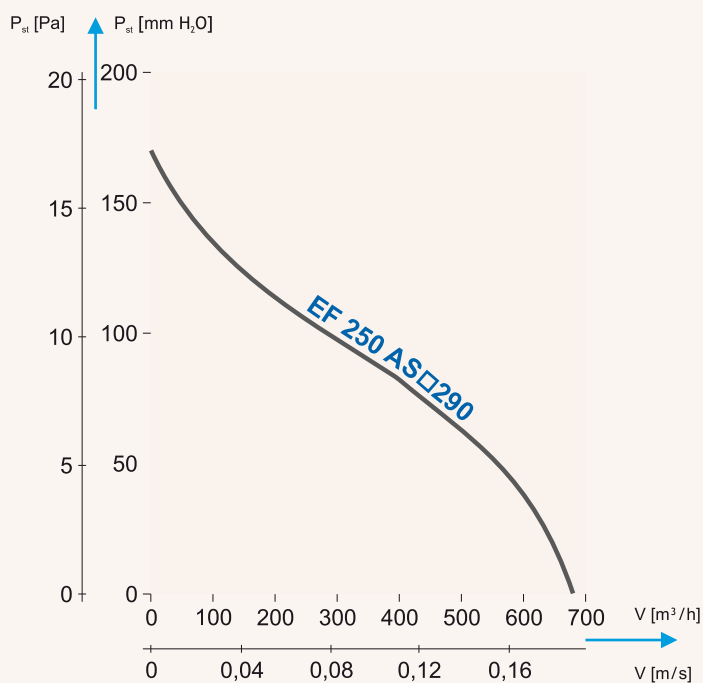
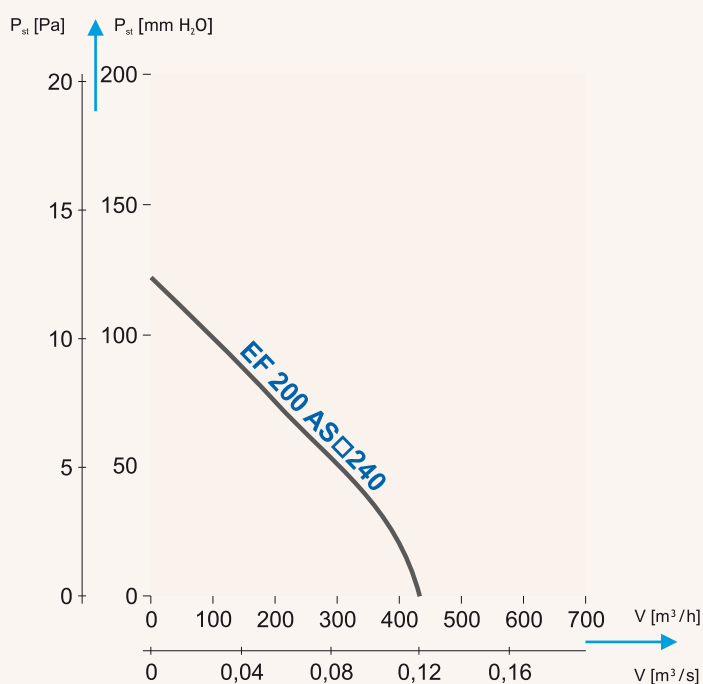
## TECHNICAL DRAWING



	ØA	B	C	D	E	F
EF 200 AS □240	202	240	306	24	50	38
EF 250 AS □290	252	285	350	24	50	46

## TECHNICAL DATA

Model	Air flow [m <sup>3</sup> /h]	Static pressure [Pa]	Static pressure [mmH <sub>2</sub> O]	Acoustic pressure [dB(A) 1 m]	Power supply voltage [V/Hz]	Motor speed [rpm]	Power [W]	Power consumption [A]	Max. working temperature [°C]	Weight [kg]	Motor protection rated [IP]	Insulation class
EF 200 AS □240	432	122	12,44	45	230/50	1420	30	0,13	40	2,50	X2	I
EF 250 AS □290	680	170	17,33	48	230/50	1420	36	0,15	40	3,00	X2	I



Model	EAN	Item number	Colour	Bulk packaging
EF 200 AS □ 240	590 2289 00010	007 - 0080	white	5 pcs.
EF 250 AS □ 290	590 2289 00011	007 - 0081	white	5 pcs.

# EURO 0

EURO 0 Ø150/160



EURO 0 centrifugal fans

Typical sizes available:

Ø150/160

Available colours:

- white

It is used to increase the air flow inside a network of ventilation ducts.

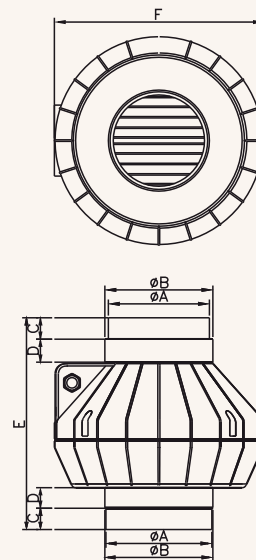
The EURO 0 inline fan is equipped with ball bearings and a visible propeller with a protective grate, the casing is ABS plastic

The installations can be mounted horizontally and vertically.

Accessories:

It is possible to connect a speed controller, (RP 300 and RN 300). Providing the customer with variable airflow settings.

## TECHNICAL DRAWING

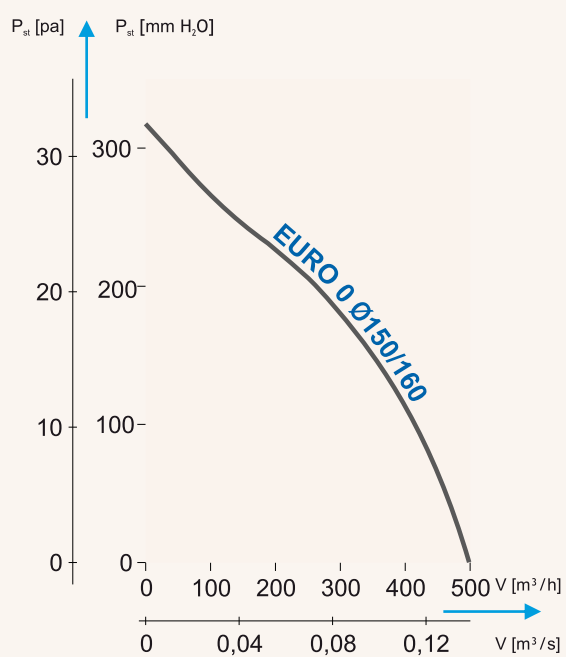


	ØA	ØB	C	D	E	F
EURO 0 Ø150/160	145	155	30	30	300	300

## TECHNICAL DATA

Model	Air flow [m <sup>3</sup> /h]	Static pressure [Pa]	Static pressure [mmH <sub>2</sub> O]	Acoustic pressure [dB(A) 1 m]	Power supply voltage [V/Hz]	Motor speed [rpm]	Power [W]	Capacitor [µF/VDB]	Power consumption [A]	Max. working temperature [°C]	Weight [kg]	Motor protection rated [IP]	Insulation class
EURO 0 Ø150/160	500	320	32,62	62	230/50	2330	58	2/400	0,26	40	2,80	44	□





Model	EAN	Item number	Colour	Bulk packaging
EURO 0 Ø150/160	590 2289 00701	007 - 0047	white	1 pcs.

# WK

- WK Ø100
- WK Ø125
- WK Ø150
- WK Ø160
- WK Ø200
- WK Ø250
- WK Ø315



WK centrifugal fans

**Typical sizes available:**

- Ø100, Ø125, Ø150, Ø160,
- Ø200, Ø250, Ø315

**Available colours:**

- silver

It is used to transmit and strengthen the air flow inside a network of ventilation ducts.

The WK inline fan is equipped with ball bearings and a visible propeller with a protective grate.

The installations can be mounted horizontally and vertically.

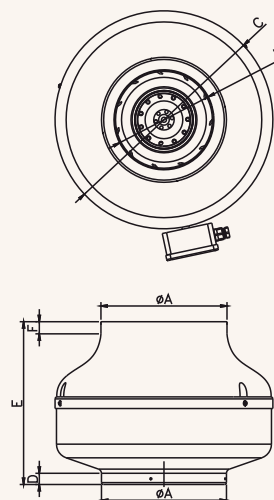
The propeller blades are directed backwards, ensuring higher pressure and work efficiency.

The casing is made from galvanised steel and the fan set includes fixings for a secure installation.

**Accessories:**

It is possible to connect a speed controller, (RP 300 and RN 300). Providing the customer with variable airflow settings.

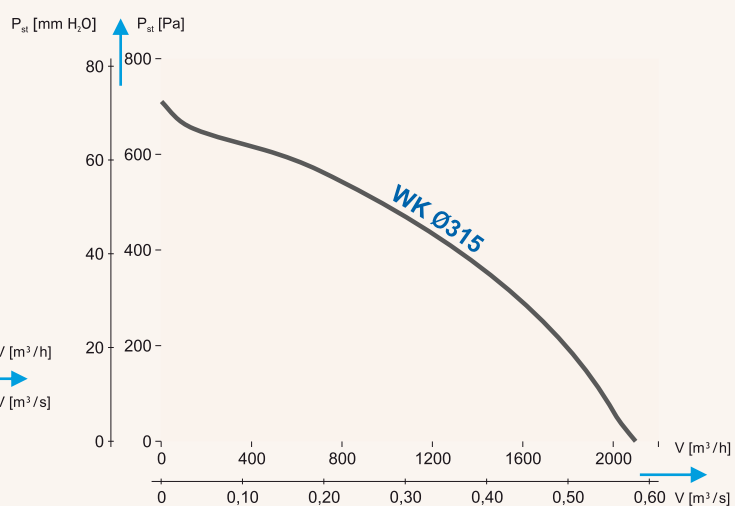
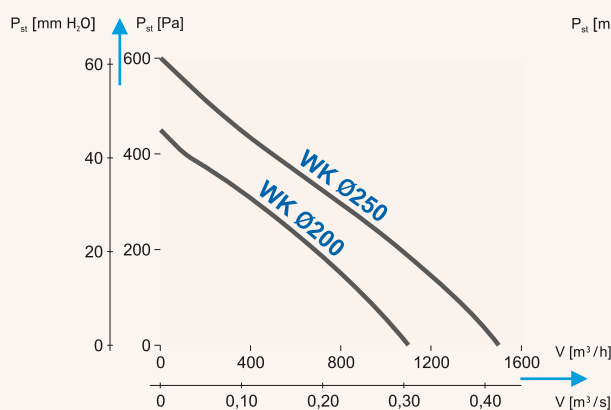
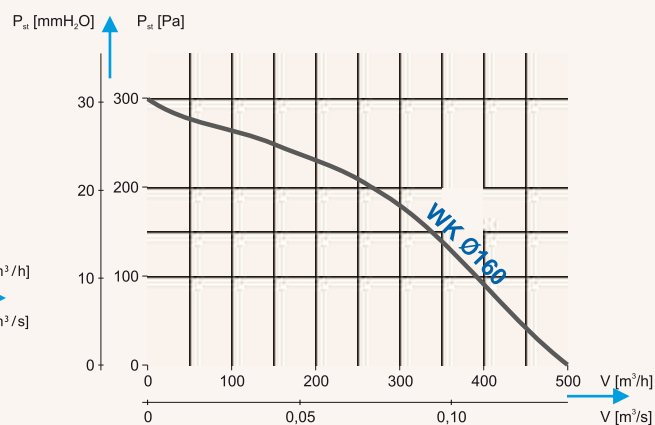
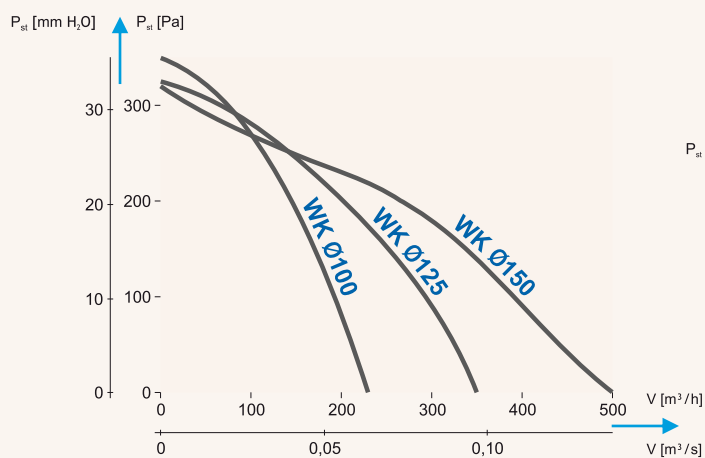
## TECHNICAL DRAWING



	ØA	B	C	D	E	F
WK Ø100	98	96	243	18	192	22
WK Ø125	124	120	243	19	189	18
WK Ø150	148	129	270	20	185	27
WK Ø160	158	129	270	24	185	35
WK Ø200	198	160	344	20	240	25
WK Ø250	248	175	344	22	245	25
WK Ø315	314	190	401	23	280	34

## TECHNICAL DATA

Model	Air flow [m <sup>3</sup> /h]	Static pressure [Pa]	Static pressure [mmH <sub>2</sub> O]	Acoustic pressure [dB(A) 1 m]	Power supply voltage [V/Hz]	Motor speed [rpm]	Power [W]	Capacitor [µF/VDB]	Power consumption [A]	Max. working temperature [°C]	Weight [kg]	Motor protection rated [IP]	Insulation class
WK Ø100	230	350	35,68	62	230/50	2330	58	2/400	0,26	40	2,60	44	I
WK Ø125	350	325	33,13	62	230/50	2330	58	2/400	0,26	40	2,70	44	I
WK Ø150	500	320	32,62	62	230/50	2330	58	2/400	0,26	40	2,80	44	I
WK Ø160	500	300	30,58	62	230/50	2330	58	2/400	0,26	40	2,90	44	I
WK Ø200	1100	450	45,87	72	230/50	2600	110	3/400	0,52	40	4,20	44	I
WK Ø250	1500	600	61,16	73	230/50	2500	160	5/400	0,75	40	5,60	44	I
WK Ø315	2100	710	72,38	74	230/50	2500	190	8/400	0,90	40	8,00	44	I



Model	EAN	Item number	Colour	Bulk packaging
WK Ø100 zinc-coated	590 2289 00710	007 - 0096	silver	1 pcs.
WK Ø125 zinc-coated	590 2289 00711	007 - 0097	silver	1 pcs.
WK Ø150 zinc-coated	590 2289 00712	007 - 0098	silver	1 pcs.
WK Ø160 zinc-coated	590 2289 00719	007 - 1454	silver	1 pcs.
WK Ø200 zinc-coated	590 2289 00713	007 - 0099	silver	1 pcs.
WK Ø250 zinc-coated	590 2289 00714	007 - 0100	silver	1 pcs.
WK Ø315 zinc-coated	590 2289 00715	007 - 0101	silver	1 pcs.

## WK plastics

WK plastics Ø100  
 WK plastics Ø125  
 WK plastics Ø150  
 WK plastics Ø160  
 WK plastics Ø200  
 WK plastics Ø250  
 WK plastics Ø315



WK plastics centrifugal fans

### TECHNICAL DRAWING

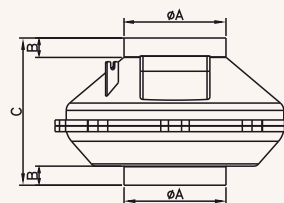
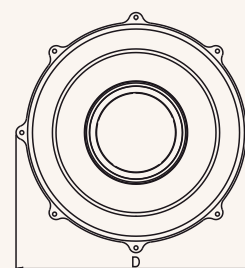
Typical sizes available:  
 Ø100, Ø125, Ø150, Ø160  
 Ø200, Ø250, Ø315

Available colours:  
 - willow green

It is used to transmit and strengthen the air flow inside a network of ventilation ducts.

The fan is equipped with ball bearings, enabling the installations to be mounted both horizontally and vertically.

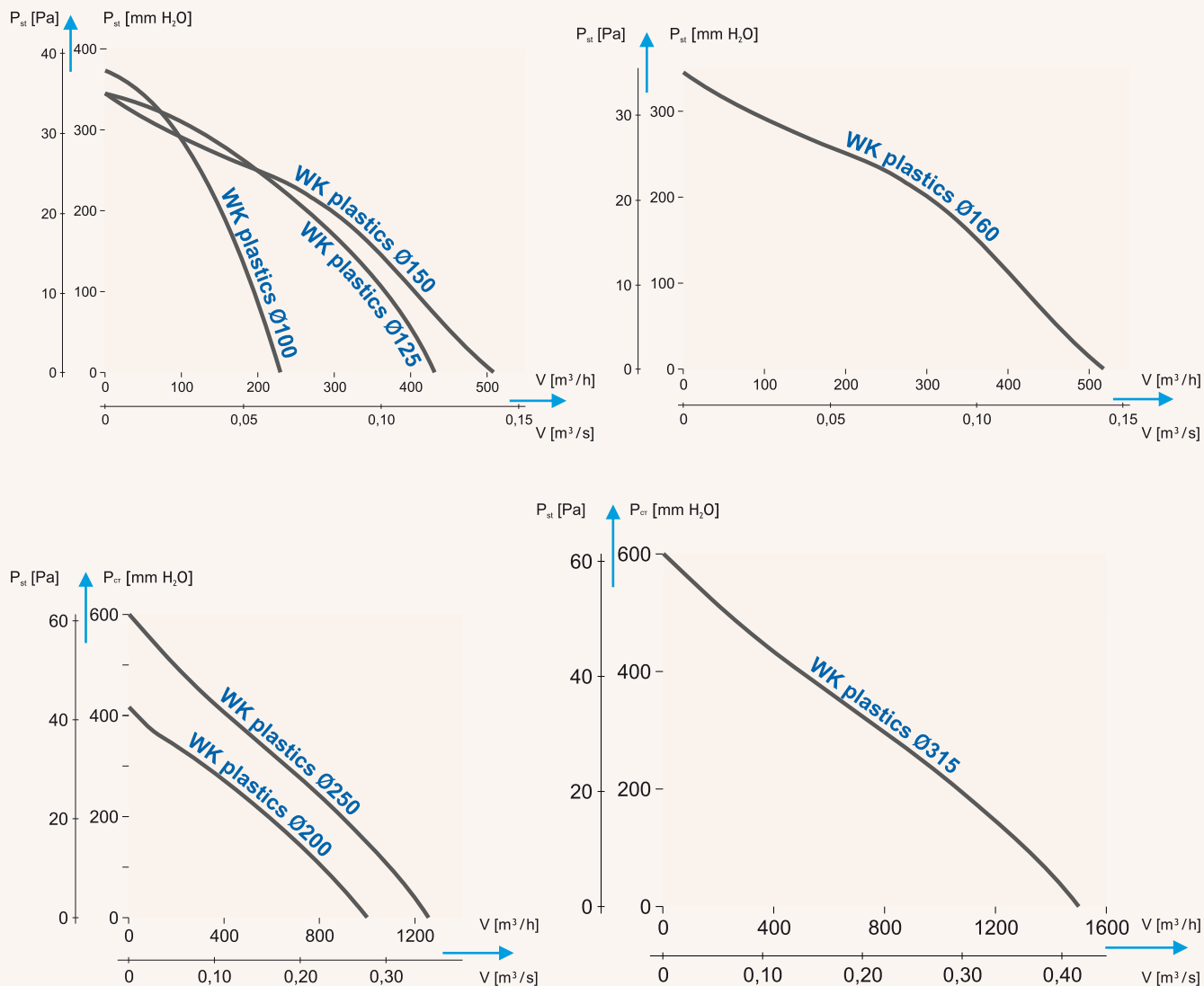
Accessories:  
 It is possible to connect a speed controller, (RP 300 and RN 300). Providing the customer with variable airflow settings.



	ØA	B	C	D
WK plastics Ø100	99	30	248	288
WK plastics Ø125	124	30	248	288
WK plastics Ø150	149	30	230	379
WK plastics Ø160	159	30	230	379
WK plastics Ø200	199	30	258	379
WK plastics Ø250	249	30	255	379
WK plastics Ø315	315	30	278	453

### TECHNICAL DATA

Model	Air flow [m <sup>3</sup> /h]	Static pressure [Pa]	Static pressure [mmH <sub>2</sub> O]	Acoustic pressure [dB(A) 1 m]	Power supply voltage [V/Hz]	Motor speed [rpm]	Power [W]	Capacitor [µF/VDB]	Power consumption [A]	Max. working temperature [°C]	Weight [kg]	Motor protection rated [IP]	Insulation class
WK plastics Ø100	230	370	37,72	60	230/50	2500	58	2/400	0,26	35	2,10	44	II
WK plastics Ø125	430	345	35,17	61	230/50	2500	58	2/400	0,26	35	2,10	44	II
WK plastics Ø150	510	345	35,17	62	230/50	2500	58	2/400	0,26	35	2,50	44	II
WK plastics Ø160	520	345	35,17	62	230/50	2500	58	2/400	0,26	35	2,50	44	II
WK plastics Ø200	1200	600	42,30	70	230/50	2600	110	3/400	0,52	40	4,10	44	II
WK plastics Ø250	1300	600	61,16	72	230/50	2500	160	5/400	0,75	40	4,20	44	II
WK plastics Ø315	1500	600	61,16	73	230/50	2500	190	8/400	0,90	40	4,50	44	II



Model	EAN	Item number	Colour	Bulk packaging
WK plastics Ø100	590 7466 67257	007 - 1229	willow green	1 pcs.
WK plastics Ø125	590 7466 67258	007 - 1230	willow green	1 pcs.
WK plastics Ø150	590 7466 67259	007 - 1231	willow green	1 pcs.
WK plastics Ø160	590 7466 67260	007 - 1232	willow green	1 pcs.
WK plastics Ø200	590 7466 67261	007 - 1233	willow green	1 pcs.
WK plastics Ø250	590 7466 67262	007 - 1234	willow green	1 pcs.
WK plastics Ø315	590 7466 67560	007 - 9022	willow green	1 pcs.

## WB

WB Ø200  
WB Ø250  
WB Ø300



WB axial fans

Typical sizes available:  
Ø200, Ø250, Ø300

Available colours:  
- silver

It is used to transmit and strengthen the air flow inside a network of ventilation ducts.

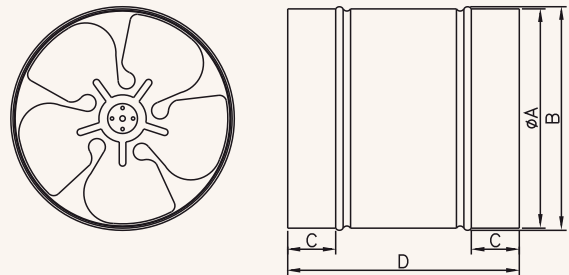
The casing is made of galvanized steel.

The fan is equipped with slide bearings.

### Accessories:

It is possible to connect a speed controller, (RP 300 and RN 300). Providing the customer with variable airflow settings.

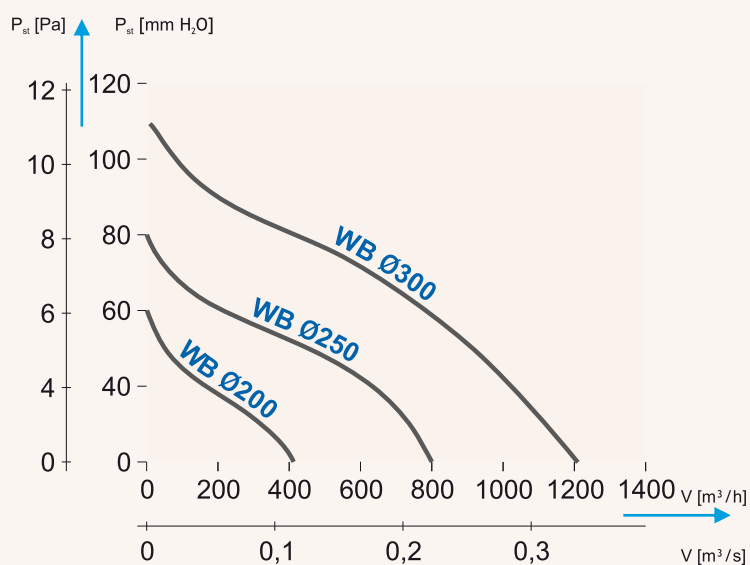
### TECHNICAL DRAWING



	ØA	B	C	D
WB Ø200	210	213	33	217
WB Ø250	265	269	46	276
WB Ø300	310	313	50	317

### TECHNICAL DATA

Model	Air flow [m <sup>3</sup> /h]	Static pressure [Pa]	Static pressure [mmH <sub>2</sub> O]	Acoustic pressure [dB(A) 1 m]	Power supply voltage [V/Hz]	Motor speed [rpm]	Power [W]	Power consumption [A]	Max. working temperature [°C]	Weight [kg]	Motor protection rated [IP]	Insulation class
WB Ø200	410	60	6,12	54	230/50	1400	45	0,24	42	2,1	X2	I
WB Ø250	800	80	8,15	57	230/50	1400	55	0,46	42	3,9	X2	I
WB Ø300	1200	108	11,01	62	230/50	1400	70	0,75	42	4,7	X2	I



Model	EAN	Item number	Colour	Bulk packaging
WB Ø200	590 2289 00690	007 - 0118	silver	1 pcs.
WB Ø250	590 2289 00691	007 - 0119	silver	1 pcs.
WB Ø300	590 2289 00692	007 - 0120	silver	1 pcs.

# WKS

- WKS 600
- WKS 1000
- WKS 1500
- WKS 2100



The centrifugal fan WKS for rectangular shafts

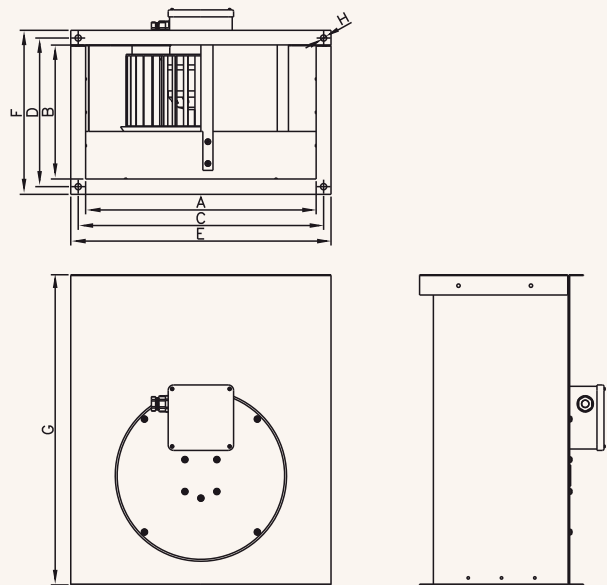
Typical sizes available:  
600, 1000, 1500, 2100  
Available colours:  
- silver

It is used to transmit and strengthen the air flow inside a network of ventilation ducts.  
The fan is equipped with ball bearings, and the casing is made of galvanized steel.

The fan can be mounted both horizontally and vertically.

Accessories:  
It is possible to connect a speed controller, (RP 300 and RN 300).  
Providing the customer with variable airflow settings.

## TECHNICAL DRAWING

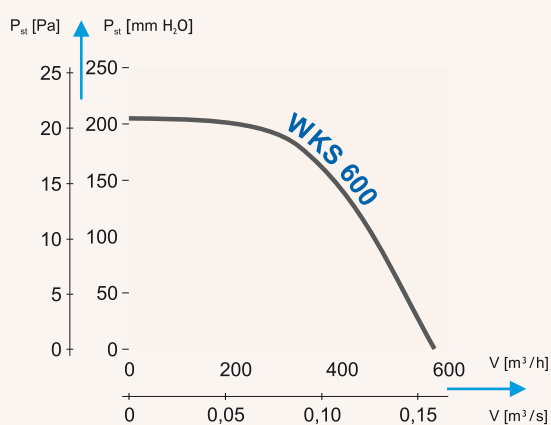
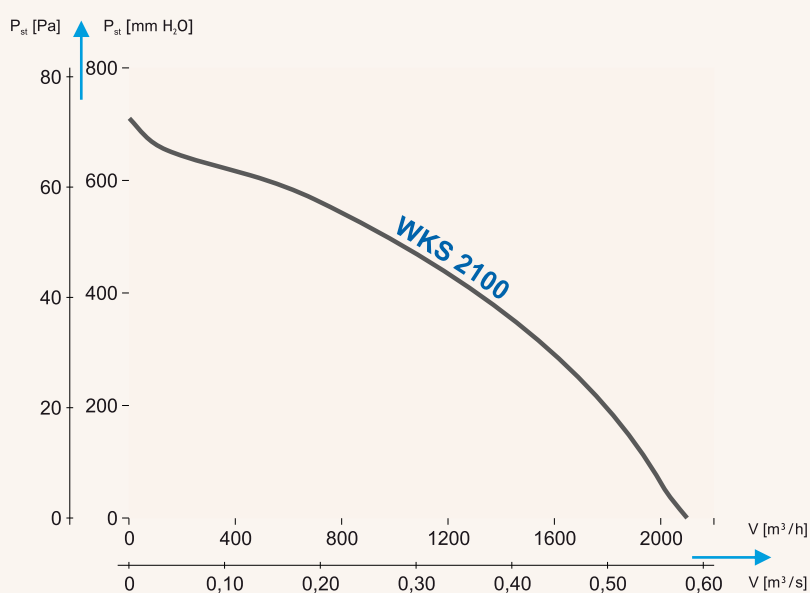
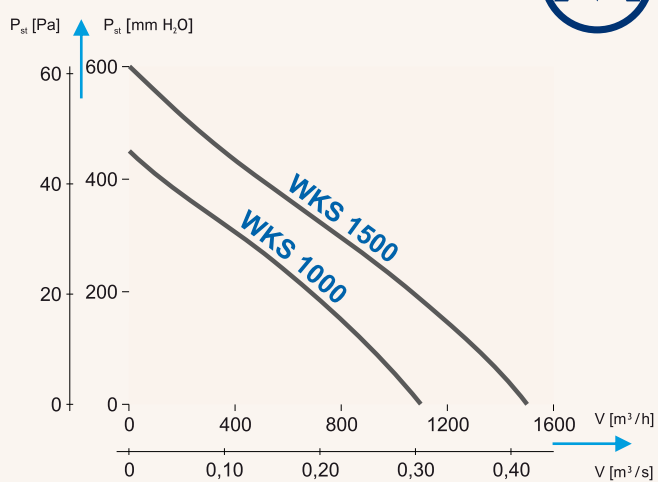


	A	B	C	D	E	F	G	H
WKS 600	290	150	320	170	340	200	350	10
WKS 1000	300	200	325	225	350	250	460	12,5
WKS 1500	400	200	425	225	450	250	460	12,5
WKS 2100	400	300	425	325	450	350	600	12,5

## TECHNICAL DATA

Model	Air flow [m³/h]	Static pressure [Pa]	Static pressure [mmH₂O]	Acoustic pressure [dB(A) 1 m]	Power supply voltage [V/Hz]	Motor speed [rpm]	Power [W]	Capacitor [µF/VDB]	Power consumption [A]	Max. working temperature [°C]	Weight [kg]	Motor protection rated [IP]	Insulation class
WKS 600	575	205	20,90	65	230/50	1250	110	3/450	0,52	55	7,00	44	I
WKS 1000	1100	450	45,87	72	230/50	2600	110	3/400	0,52	40	12,00	44	I
WKS 1500	1500	600	61,16	73	230/50	2500	160	5/400	0,75	40	17,00	44	I
WKS 2100	2100	710	72,38	74	230/50	2500	190	8/400	0,90	40	35,00	44	I





Model	EAN	Item number	Colour	Bulk packaging
WKS 600	590 2289 00768	012 - 0399	silver	1 pcs.
WKS 1000	590 2289 00769	012 - 0400	silver	1 pcs.
WKS 1500	590 2289 00770	012 - 0401	silver	1 pcs.
WKS 2100	590 2289 00771	012 - 0453	silver	1 pcs.

## WD

WD Ø200 zinc-coated steel  
 WD Ø250 zinc-coated steel  
 WD Ø315 zinc-coated steel



WD centrifugal fans

### TECHNICAL DRAWING

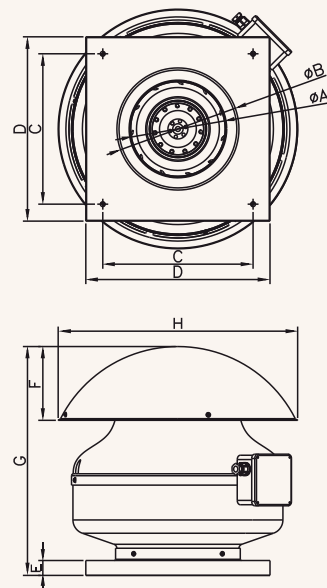
Typical sizes available:  
 Ø200, Ø250, Ø300

Available colours:  
 - silver

It is used to provide the up-draught in ventilation systems. The fan set includes the mounting base and fastenings for installation on horizontal surfaces.

The fan is equipped with a motor with ball bearings and a cover. This provides protection from adverse weather conditions.

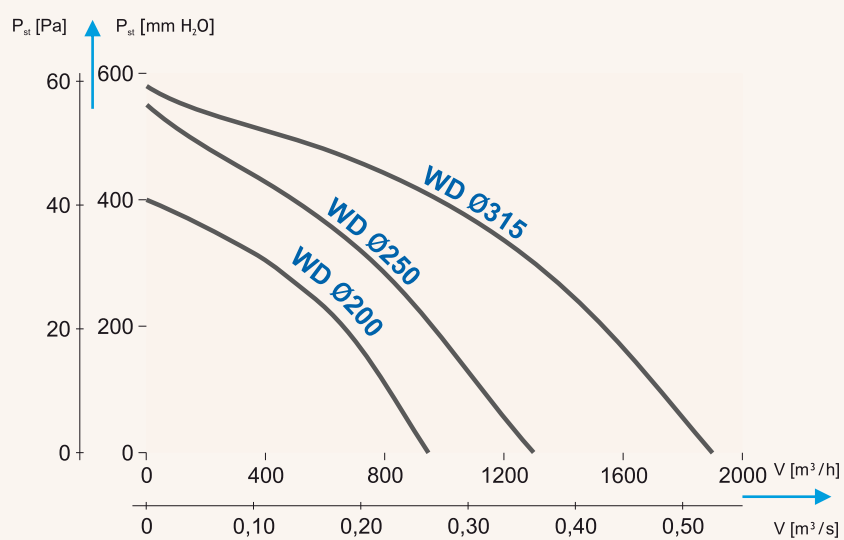
Accessories:  
 It is possible to connect a speed controller, (RP 300 and RN 300). Providing the customer with variable airflow settings.



	ØA	ØB	C	D	E	F	G	H
WD Ø200	158	198	245	300	25	115	345	385
WD Ø250	175	248	245	300	25	120	365	430
WD Ø315	190	314	330	400	30	135	410	540

### TECHNICAL DATA

Model	Air flow [m <sup>3</sup> /h]	Static pressure [Pa]	Static pressure [mmH <sub>2</sub> O]	Acoustic pressure [dB(A) 1 m]	Power supply voltage [V/Hz]	Motor speed [rpm]	Power [W]	Capacitor [µF/VDB]	Power consumption [A]	Max. working temperature [°C]	Weight [kg]	Motor protection rated [IP]	Insulation class
WD Ø200	945	400	40,77	72	230/50	2600	110	3/400	0,52	40	7,10	44	I
WD Ø250	1300	550	56,07	73	230/50	2500	160	5/400	0,75	40	8,00	44	I
WD Ø315	1900	580	59,12	74	230/50	2500	190	8/400	0,90	40	10,80	44	I



Model	EAN	Item number	Colour	Bulk packaging
WD Ø200 zinc-coated	590 2289 00725	007 - 0108	silver	1 pcs.
WD Ø250 zinc-coated	590 2289 00726	007 - 0109	silver	1 pcs.
WD Ø315 zinc-coated	590 2289 00727	007 - 0110	silver	1 pcs.

## WD II

WD II Ø150  
zinc-coated steel  
WD II Ø200  
zinc-coated steel  
WD II Ø250  
zinc-coated steel  
WD II Ø315  
zinc-coated steel



WD II centrifugal fans

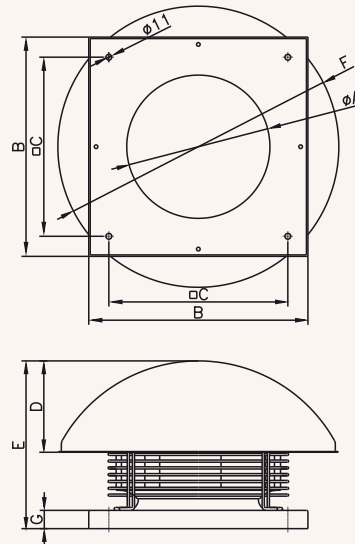
Typical sizes available:  
Ø150, Ø200, Ø250, Ø315  
Available colours:  
- silver

This is a new version of the WD fan with an improved construction, this has increased the WD's fan efficiency. It is used to increase the draught in ventilation systems. The WD II fan comes complete with a mounting base and fasteners for horizontal surfaces.

The fan is equipped with a motor with ball bearings and a cover. This provides protection from adverse weather conditions.

Accessories:  
It is possible to connect a speed controller, (RP 300 and RN 300). Providing the customer with variable airflow settings.

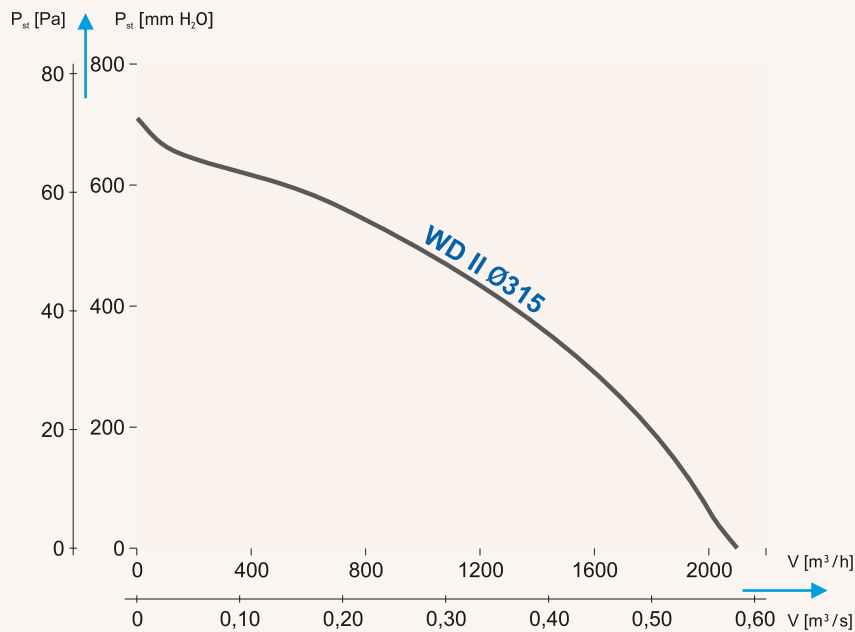
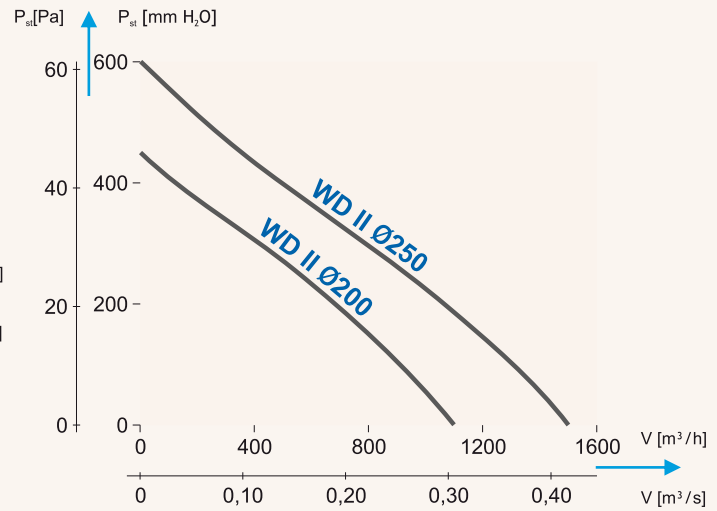
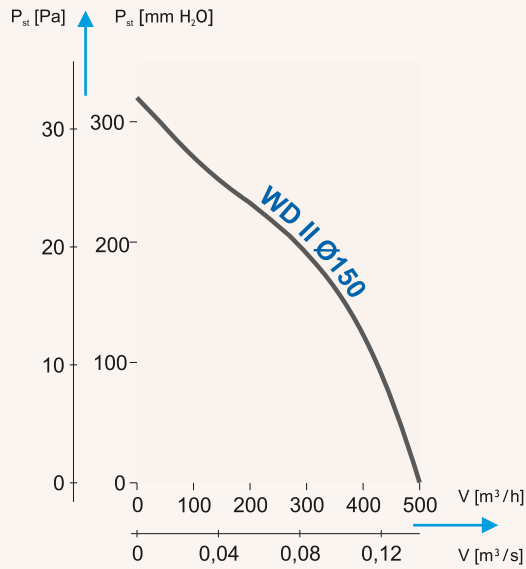
### TECHNICAL DRAWING



	ØA	B	□C	D	E	F	G
WD II Ø150	125	310	230	125	220	386	20
WD II Ø200	145	310	230	125	230	386	20
WD II Ø250	165	310	230	125	240	430	20
WD II Ø315	180	410	330	140	260	542	20

### TECHNICAL DATA

Model	Air flow [m <sup>3</sup> /h]	Static pressure [Pa]	Static pressure [mmH <sub>2</sub> O]	Acoustic pressure [dB(A) 1 m]	Power supply voltage [V/Hz]	Motor speed [rpm]	Power [W]	Capacitor [µF/VDB]	Power consumption [A]	Max. working temperature [°C]	Weight [kg]	Motor protection rated [IP]	Insulation class
WD II Ø150	500	320	32,62	62	230/50	2330	58	2/400	0,26	40	2,80	44	I
WD II Ø200	1100	450	45,87	72	230/50	2600	110	3/400	0,52	40	4,20	44	I
WD II Ø250	1500	600	61,16	73	230/50	2500	160	5/400	0,75	40	5,60	44	I
WD II Ø315	2100	710	72,38	74	230/50	2500	190	8/400	0,90	40	8,00	44	I



Model	EAN	Item number	Colour	Bulk packaging
WD II Ø150 zinc-coated steel	590 2289 00748	007 - 0714	silver	1 pcs.
WD II Ø200 zinc-coated steel	590 2289 00735	007 - 0302	silver	1 pcs.
WD II Ø250 zinc-coated steel	590 2289 00736	007 - 0303	silver	1 pcs.
WD II Ø315 zinc-coated steel	590 2289 00737	007 - 0304	silver	1 pcs.

## WDD

WDD Ø150  
WDD Ø200  
WDD Ø250  
WDD Ø315



WDD centrifugal fans

### TECHNICAL DRAWING

Typical sizes available:  
Ø150, Ø200, Ø250, Ø315  
Available colours:  
- silver

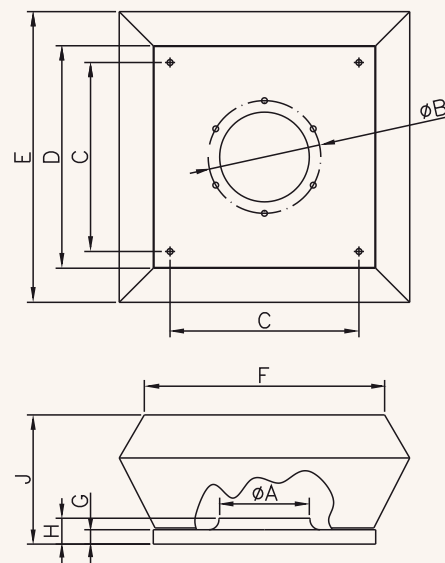
The WDD roof fans provide vertical air ejection.

The fan motor is equipped with ball bearings, the cover is aluminium, providing protection from adverse weather conditions.

The fan has protect rating of IP 44.

Accessories:

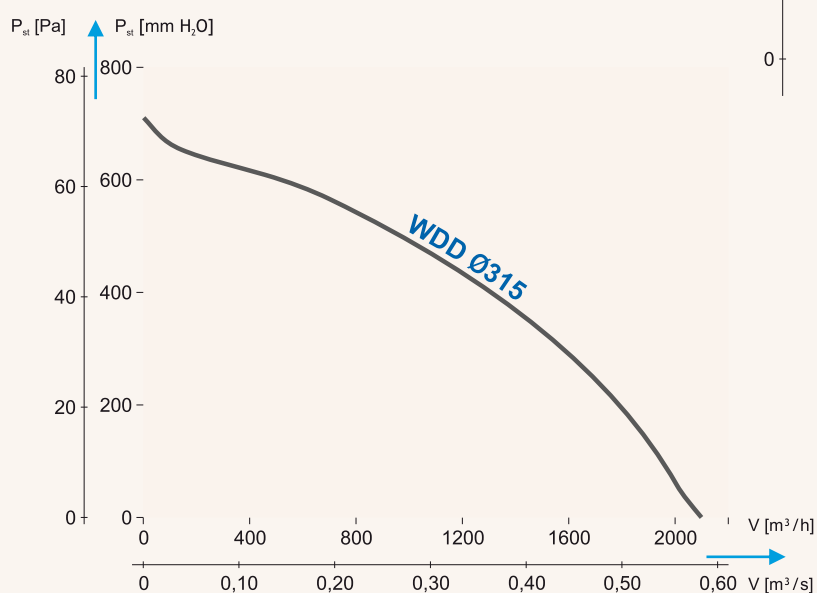
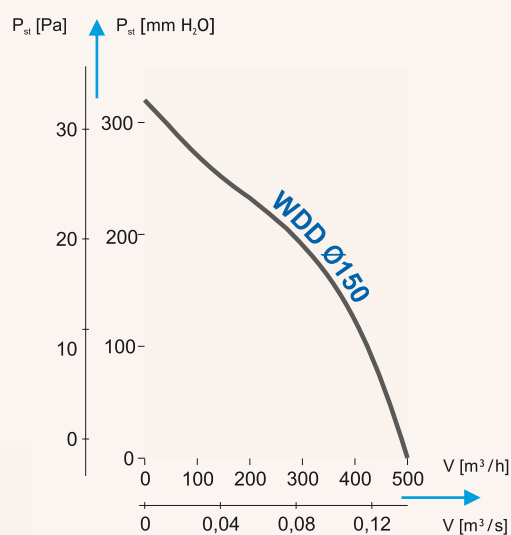
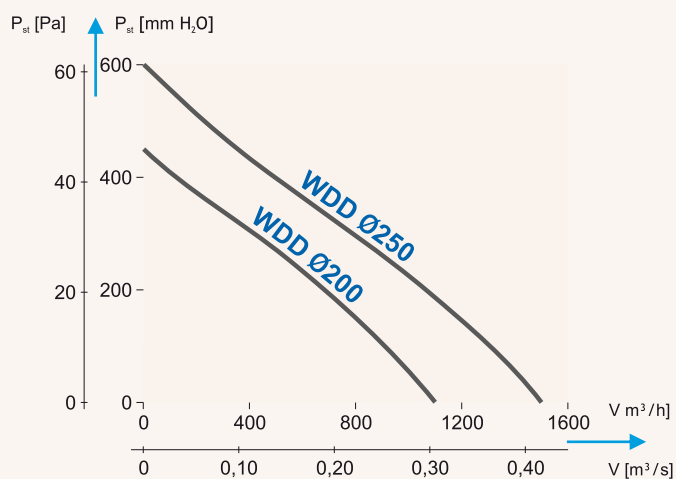
It is possible to connect a speed controller, (RP 300 and RN 300). Providing the customer with variable airflow settings.



	ØA	ØB	C	D	E	F	G	H	J
WDD Ø150	125	157	230	310	405	335	20	36	180
WDD Ø200	145	207	230	310	405	335	20	36	180
WDD Ø250	165	257	250	310	405	335	20	36	180
WDD Ø315	180	322	330	410	540	470	20	36	210

### TECHNICAL DATA

Model	Air flow [m <sup>3</sup> /h]	Static pressure [Pa]	Static pressure [mmH <sub>2</sub> O]	Acoustic pressure [dB(A) 1 m]	Power supply voltage [V/Hz]	Motor speed [rpm]	Power [W]	Capacitor [µF/VDB]	Power consumption [A]	Max. working temperature [°C]	Weight [kg]	Motor protection rated [IP]	Insulation class
WDD Ø150	500	320	32,62	62	230/50	2330	58	2/400	0,26	40	2,80	44	I
WDD Ø200	1100	450	45,87	72	230/50	2600	110	3/400	0,52	40	4,20	44	I
WDD Ø250	1500	600	61,16	73	230/50	2500	160	5/400	0,75	40	5,60	44	I
WDD Ø315	2100	710	72,38	74	230/50	2500	190	8/400	0,90	40	8,00	44	I



Model	EAN	Item number	Colour	Bulk packaging
WDD Ø150	590 2289 00744	007 - 0662	silver	1 pcs.
WDD Ø200	590 2289 00741	007 - 0466	silver	1 pcs.
WDD Ø250	590 2289 00742	007 - 0467	silver	1 pcs.
WDD Ø315	590 2289 00743	007 - 0468	silver	1 pcs.

# EURO 0D

EURO 0D Ø150



EURO 0D centrifugal fans

## TECHNICAL DRAWING

Typical sizes available:

Ø150

Available colours:

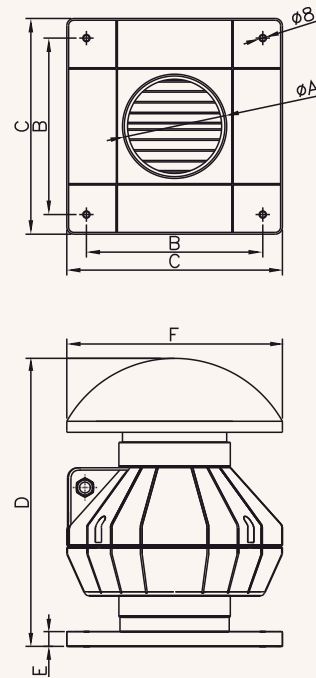
- white

The Euro 0D roof top fan provides an updraft for ventilation systems.

The fan motor is equipped with ball bearings, the casing is ABS plastic providing protection from adverse weather conditions.

Accessories:

It is possible to connect a speed controller, (RP 300 and RN 300). Providing the customer with variable airflow settings.

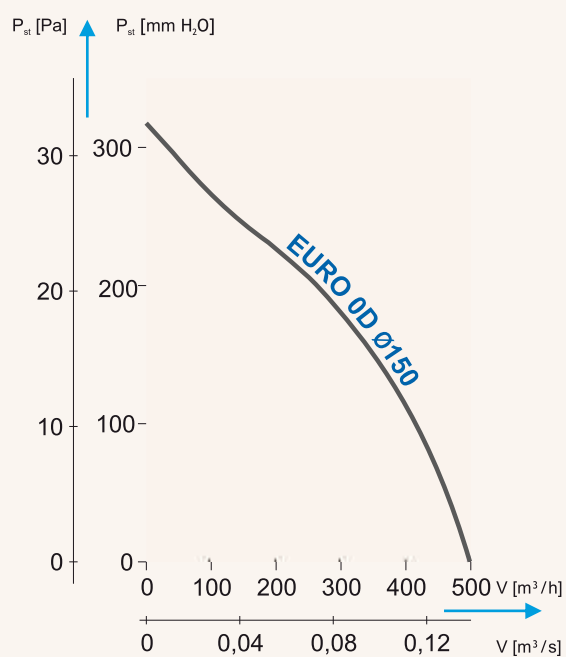


	ØA	B	C	D	E	F
EURO 0D Ø150	145	240	300	410	20	300

## TECHNICAL DATA

Model	Air flow [m <sup>3</sup> /h]	Static pressure [Pa]	Static pressure [mmH <sub>2</sub> O]	Acoustic pressure [dB(A) 1 m]	Power supply voltage [V/Hz]	Motor speed [rpm]	Power [W]	Capacitor [µF/VDB]	Power consumption [A]	Max. working temperature [°C]	Weight [kg]	Motor protection rated [IP]	Insulation class
EURO 0D Ø150	410	260	26,50	62	230/50	2330	58	2/400	0,26	40	3,10	44	□





Model	EAN	Item number	Colour	Bulk packaging
EURO OD Ø150	590 2289 00702	007 - 0049	white	1 pcs.

## VENTILATION FINISH ASSORTMENT INCLUDES:



### Ventilation grills

They are used to cover the supply and exhaust points for ventilation systems, reducing back pressure build up. These systems facilitate efficient air distribution and they also protect against precipitation when installed outside.



### Deflectors

These are installed on roofs, at the top of ventilation ducts, or flues. They reduce the back flow in a system and increase the updraft of the extraction system. Their design prevents moisture entering the system.



### Diffusers

These air diffusers are used in both the uptake and the expulsion of air. They ensure effective air distribution by dissipating the air in different directions. These are available in plastic and metal finishes.



### Door's grills

Door grills allow good air movement to pass through closed doors. They are normally fitted to the bottom of doors and are suitable for most types of environments but are commonly fitted in bathrooms and utility rooms.



### Fireplace grills

are decorative and provide an aesthetic finish for fireplace systems. They are used for the covering up of ventilation ducts, and can be installed in fireplace ducts, walls or floors.

## **EFFECTIVE PARTS FOR FINISHING VENTILATION SYSTEMS**

Dospel Pro Line offers wide range of product lines for ventilation finishing. These make it possible to create an effective system of circulating the airflow and they are both a practical and aesthetically pleasing way to complete a ventilation system.

# KR

KR Ø100/125  
KR Ø150



Ventilation grill (standard)

**Typical sizes available:**

Ø100/125, Ø150

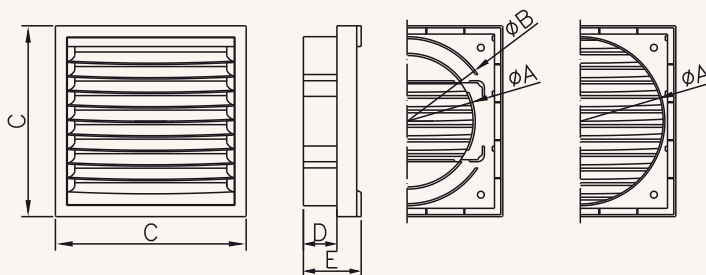
**Available colours:**

- white
- brown
- gold gloss
- gold mat
- silver gloss
- silver mat

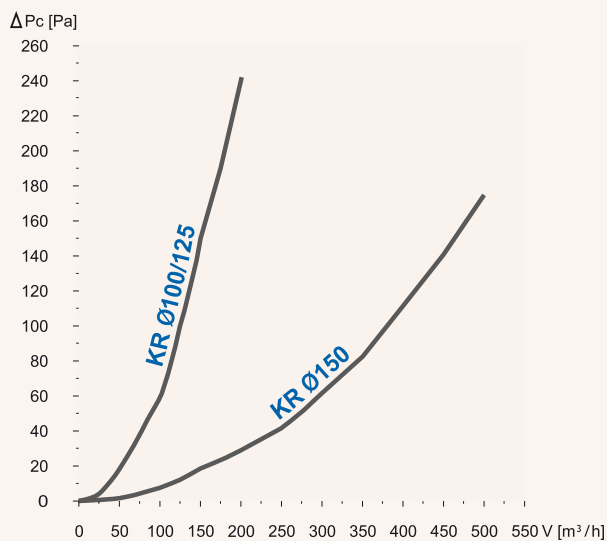
**Material:** ABS

They are also used in connection with circular ventilation duct systems. The ventilation grill has a front removable frame which enables easy installation and cleaning. The size of the connection can be specifically requested, at diameter's 100/125mm the use of a rectangular duct adapter is possible allowing flat ducting to be attached.

## TECHNICAL DRAWING



	ØA	ØB	C	D	E
KR Ø100/125	100	124	140	25	43
KR Ø150	149	—	176	33	52



Model	EAN	Item number	Colour	Bulk packaging
KR Ø100/125	590 2289 00401	007 - 0153	white	20 pcs.
KR Ø100/125 /B	590 2289 00369	007 - 0318	brown	20 pcs.
KR Ø100/125 /SP	590 2289 00400	007 - 0154	silver gloss	20 pcs.
KR Ø100/125 /SM	590 2289 00375	007 - 0569	silver mat	20 pcs.
KR Ø100/125 /ZP	590 2289 00399	007 - 0155	gold gloss	20 pcs.
KR Ø100/125 /ZM	590 2289 00376	007 - 0571	gold mat	20 pcs.
KR Ø150	590 2289 00402	007 - 0156	white	20 pcs.
KR Ø150 /B	590 2289 00370	007 - 0319	brown	20 pcs.
KR Ø150 /SP	590 2289 00398	007 - 0157	silver gloss	20 pcs.
KR Ø150 /SM	590 2289 00373	007 - 0570	silver mat	20 pcs.
KR Ø150 /ZP	590 2289 00397	007 - 0158	gold gloss	20 pcs.
KR Ø150 /ZM	590 2289 00374	007 - 0572	gold mat	20 pcs.

# KRŽ

KRŽ Ø100/125  
KRŽ Ø150



Grill with shutters (standard)

Typical sizes available:

Ø100/125, Ø150

Available colours:

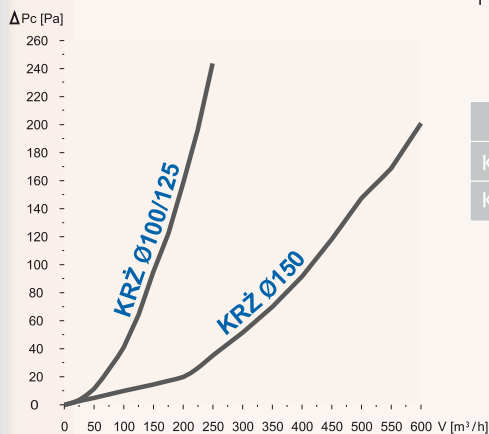
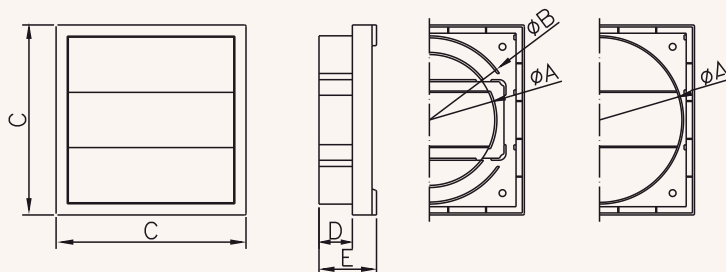
- white
- brown

Material: ABS

KRŽ is used in circular ventilation ducts. The gravity shutters (grill) is fixed at the exhaust point of the ventilation duct. Preventing back drafts and unpleasant external odours.

It protects against precipitation whether the gravity shutters are open or closed. It is installed in a vertical position and the shutters should be directed downwards. At diameter's 100/125mm the use of a rectangular duct adapter is possible allowing flat ducting to be connected.

## TECHNICAL DRAWING



	ØA	ØB	C	D	E
KRŽ Ø100/125	100	124	140	25	43
KRŽ Ø150	149	-	176	33	52

Model	EAN	Item number	Colour	Bulk packaging
KRŽ Ø100/125	590 2289 00403	007 - 0181	white	20 pcs.
KRŽ Ø100/125 /B	590 2289 00444	007 - 0650	brown	20 pcs.
KRŽ Ø150	590 2289 00404	007 - 0183	white	20 pcs.
KRŽ Ø150 /B	590 2289 00445	007 - 0325	brown	20 pcs.



Grill with shutters (standard)

## KMŽ

- KMŽ Ø100
- KMŽ Ø125
- KMŽ □135

Typical sizes available:

Ø100, Ø125, □135

Available colours:

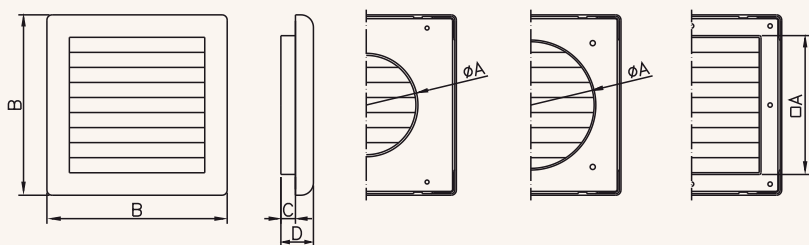
- white

Material: ABS

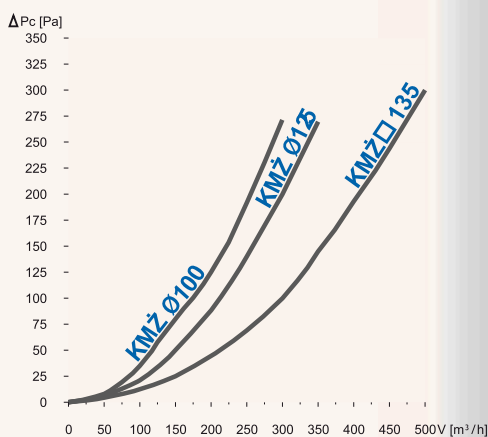
KMŽ grills are used in circular ventilation ducts. The gravity shutters (grill) is fixed at the exhaust point of the ventilation duct. Preventing back drafts and unpleasant external smells.

It protects against precipitation whether the gravity shutters are open or closed. It is installed in a vertical position and the shutters should be directed downwards. At diameter's 100/125mm the use of a rectangular duct adapter is possible allowing flat ducting to be connected.

### TECHNICAL DRAWING



	Ø/□A	B	C	D
KMŽ Ø100	99	174	23	41
KMŽ Ø125	124	174	23	41
KMŽ □135	134	174	15	33



Model

EAN

Item number

Colour

Bulk packaging

KMŽ Ø100

590 2289 00413

007 - 0179

white

20 pcs.

KMŽ Ø125

590 2289 00414

007 - 0180

white

20 pcs.

KMŽ □135

590 2289 00425

007 - 0409

white

20 pcs.

# RKŽ

- RKŽ □200
- RKŽ □300
- RKŽ □450



Grill with shutters (standard)

Typical sizes available:

- 200, □300, □450

Available colours:

- grey

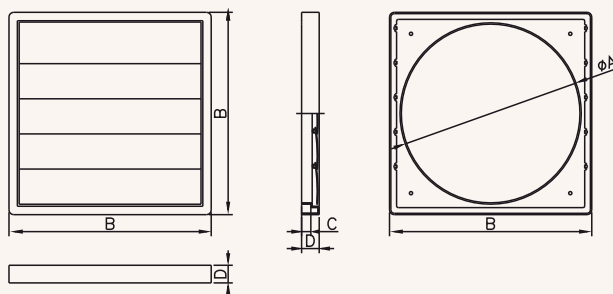
Material: ABS

Used in connections with square and circular ventilation ducts. The gravity shutters (grill) is fixed at the exhaust point of the ventilation duct. Preventing back drafts and unpleasant external odours.

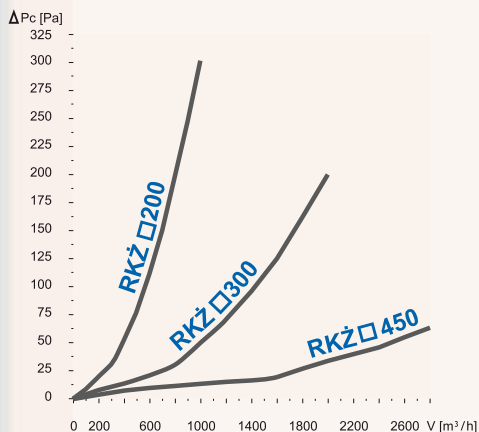
It resists against precipitation whether the gravity shutters are open or closed. It is installed in a vertical position. The shutters should be directed downwards.

At diameter's 100/125mm the use of a rectangular duct adapter is possible allowing flat ducting to be connected.

## TECHNICAL DRAWING



	ØA	B	C	D
RKŽ □200	170	200	9	20
RKŽ □300	267	300	10	26
RKŽ □450	428	460	10	26



Model	EAN	Item number	Colour	Bulk packaging
RKŽ □200	590 2289 00422	007 - 0402	grey	10 pcs.
RKŽ □300	590 2289 00423	007 - 0403	grey	10 pcs.
RKŽ □450	590 2289 00424	007 - 0404	grey	10 pcs.



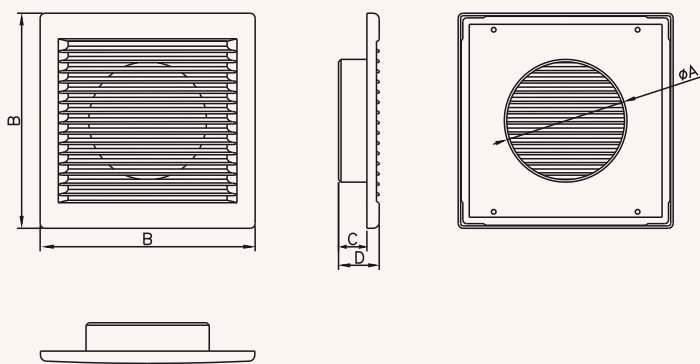


Square grill (lux)

## DL

- DL/ Ø100 RW
- DL/ Ø125 RW
- DL/ Ø150 RW

### TECHNICAL DRAWING



	ØA	B	C	D
DL/ Ø100 RW	100	175	23	33
DL/ Ø125 RW	125	175	23	33
DL/ Ø150 RW	150	204	25	35

Typical sizes available:

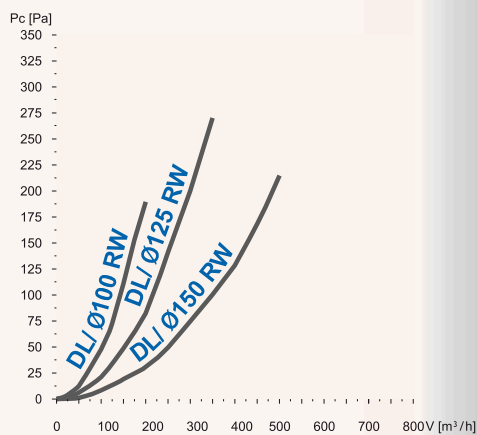
Ø100, Ø125, Ø150

Available colours:

- white

Material: ABS

These grills are used in connection with circular ventilation ducts. It is suitable for indoor and outdoor use.



Model	EAN	Item number	Colour	Bulk packaging
DL/ Ø100 RW	590 2289 00435	007 - 0163	white	20 pcs.
DL/ Ø125 RW	590 2289 00436	007 - 0166	white	20 pcs.
DL/ Ø150 RW	590 2289 00432	007 - 0164	white	20 pcs.

# DL Ž

DL/□135 Ž  
DL/□165 Ž



Grill with shutters (lux)

Typical sizes available:

□135, □165

Available colours:

- white

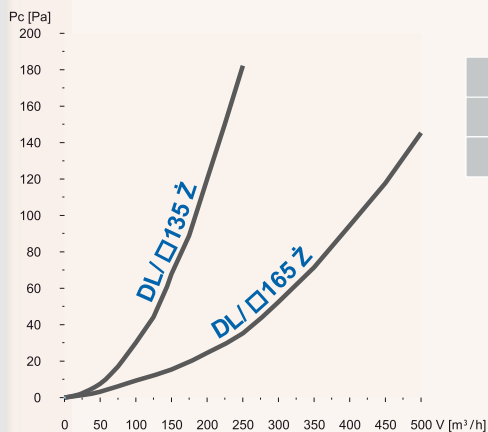
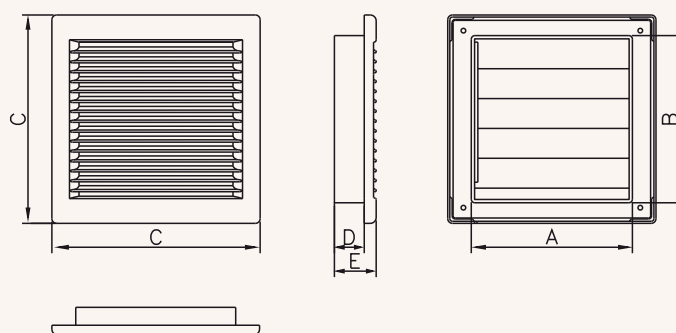
Material: ABS

These square grills are fixed at the outlet of the ventilation duct. The shutters can be easily changed by using the pull cord.

The grill is fixed at the outlet of the ventilation duct preventing back drafts, unpleasant external smells and protect against precipitation.

The grill consists of two sections: an inner frame and a surface panel. These can be separated for better access. They also cover up the screw fixing points.

## TECHNICAL DRAWING



	A	B	C	D	E
DL/□135 Ž	135	140	173	24	35
DL/□165 Ž	165	165	203	24	35

Model	EAN	Item number	Colour	Bulk packaging
DL/□135 Ž	590 2289 00426	007 - 0434	white	20 pcs.
DL/□165 Ž	590 2289 00429	007 - 0437	white	20 pcs.



Grill with shutters (lux)

## DL Ž

DL/□90 x 240 Ž  
DL/□140 x 210 Ž

Typical sizes available:

□90 x 240, □140 x 210

Available colours:

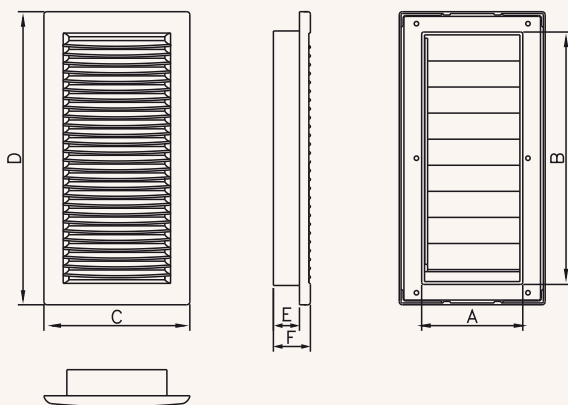
- white

Material: ABS

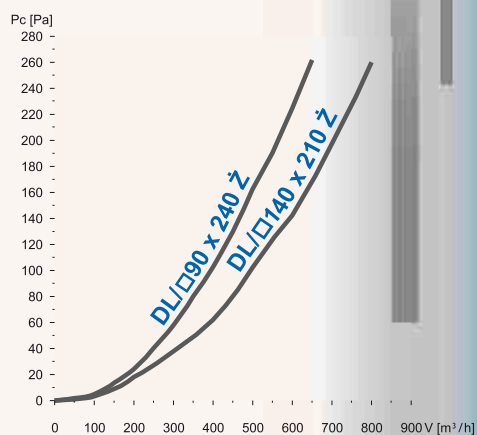
These square grills are fixed at the outlet of the ventilation duct. The position of shutter can be changed by using the pull cord. The grill is fixed at the outlet of the ventilation duct which prevents back drafts and moisture.

The grill consists of two sections: an inner frame and a surface panel. These can be separated for easy access, cleaning and the screw fix terminals are hidden. Also facilitating the grill installation.

### TECHNICAL DRAWING



	A	B	C	D	E	F
DL/□90 x 240 Ž	98	242	140	281	24	35
DL/□140 x 210 Ž	135	215	174	248	24	35



Model	EAN	Item number	Colour	Bulk packaging
DL/□90 x 240 Ž	590 2289 00427	007 - 0435	white	20 pcs.
DL/□140 x 210 Ž	590 2289 00428	007 - 0436	white	20 pcs.

## DL RW

DL/□135 RW  
DL/□165 RW



Square grill (lux)

Typical sizes available:

□135, □165

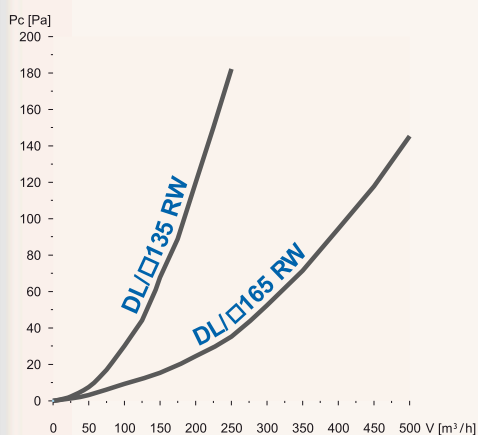
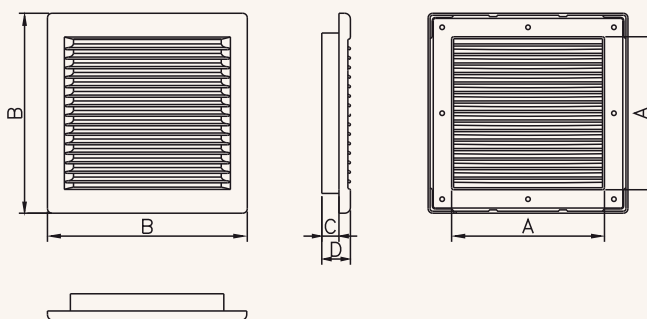
Available colours:

- white

Material: ABS

Ventilation grill used in connections with square ventilation ducts. Suitable for outdoor and indoor use.

### TECHNICAL DRAWING



	A	B	C	D
DL/□135 RW	134	175	15	25
DL/□165 RW	164	204	17	28

Model	EAN	Item number	Colour	Bulk packaging
DL/□135 RW	590 2289 00434	007 - 0165	white	20 pcs.
DL/□165 RW	590 2289 00433	007 - 0162	white	20 pcs.

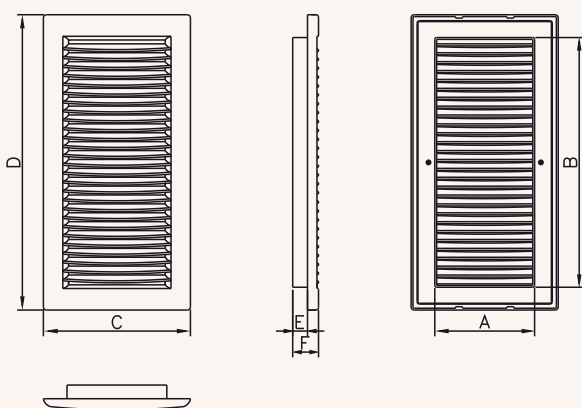


Rectangular grill (lux)

## DL RW

DL/□90 x 240 RW  
DL/□140 x 210 RW

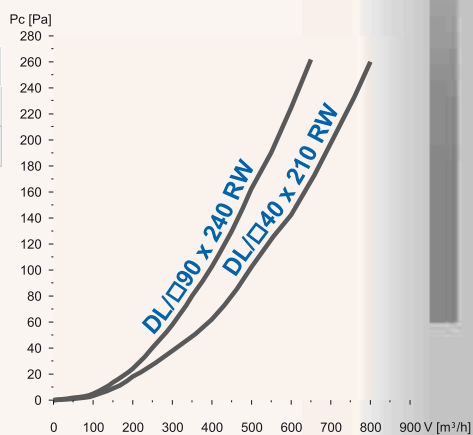
### TECHNICAL DRAWING



	A	B	C	D	E	F
DL/□90 x 240 RW	96	238	140	281	14	25
DL/□140 x 210 RW	134	208	174	248	14	24

Typical sizes available:  
□90 x 240, □140 x 210  
Available colours:  
- white  
Material: ABS

Used in connections with square and circular ventilation ducts. The DL RW cover model is suitable for indoor and outdoor use.



Model	EAN	Item number	Colour	Bulk packaging
DL/□90 x 240 RW	590 2289 00430	007 - 0160	white	20 pcs.
DL/□140 x 210 RW	590 2289 00431	007 - 0161	white	20 pcs.

# D W

D/140 W  
D/195 W  
D/235 W



Flat ventilation grill (standard)

Typical sizes available:

□140, □195, □235

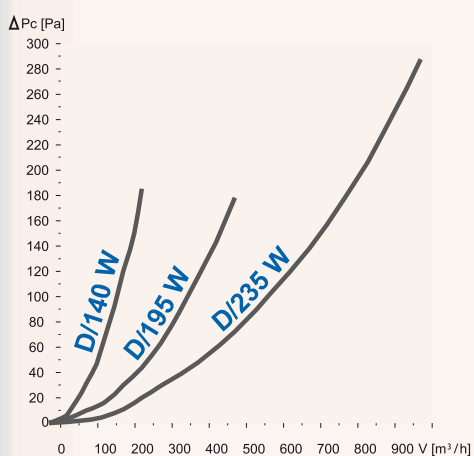
Available colours:

- white

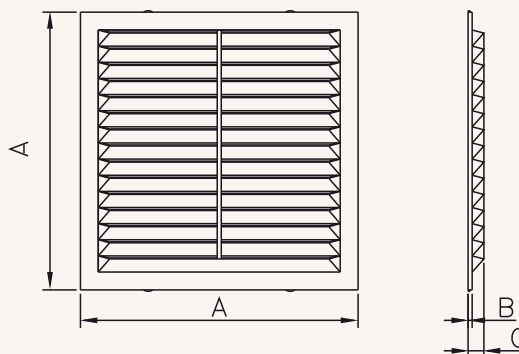
Material: ABS

Used to finish off a square ventilation outlet and to distribute the air within a room.

It is necessary to use a sealing agent, silicon or foam for fixing.



## TECHNICAL DRAWING



	A	B	C
D/140 RW	137	2	8
D/195 RW	194	2	8
D/235 RW	234	2	9

Model	EAN	Item number	Colour	Bulk packaging
D/140 W	590 2289 00898	007 - 0169	white	20 pcs.
D/195 W	590 2289 00892	007 - 0175	white	20 pcs.
D/235 W	590 2289 00894	007 - 0177	white	20 pcs.

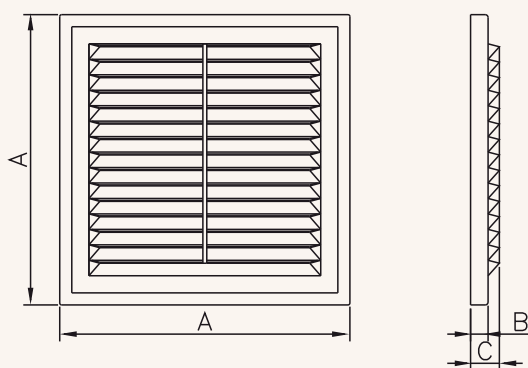


Ventilation grille with a frame (standard)

## D RW

D/150 RW  
D/210 RW  
D/250 RW

### TECHNICAL DRAWING



	A	B	C
D/150 RW	149	9	15
D/210 RW	208	10	16
D/250 RW	249	10	17

Typical sizes available:

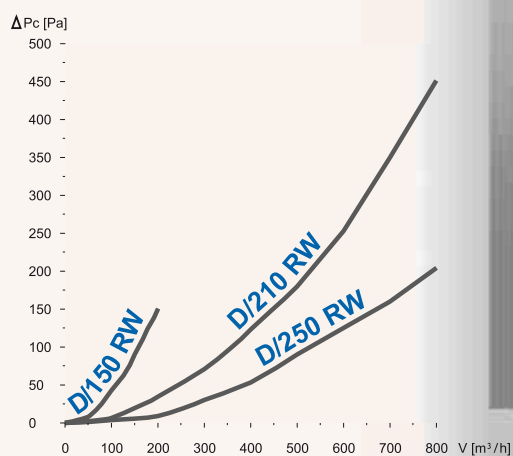
□150, □210, □250

Available colours:

- white

Material: ABS

Used in connections with square ventilation ducts. The grille has a front removable frame which facilitates installation and cleaning.



Model	EAN	Item number	Colour	Bulk packaging
D/150 RW	590 2289 00925	007 - 0170	white	20 pcs.
D/210 RW	590 2289 00893	007 - 0176	white	20 pcs.
D/250 RW	590 2289 00895	007 - 0178	white	20 pcs.

D W

D/170x240 W



Flat ventilation grill (standard)

Typical sizes available:

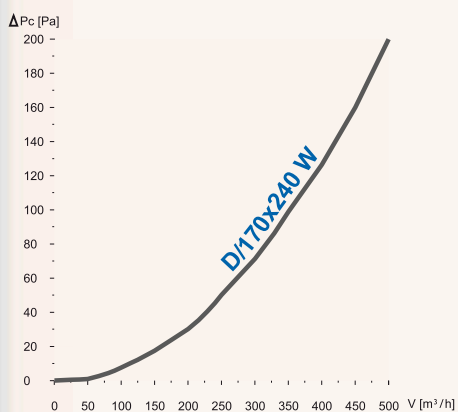
□ 170 x 240

Available colours:

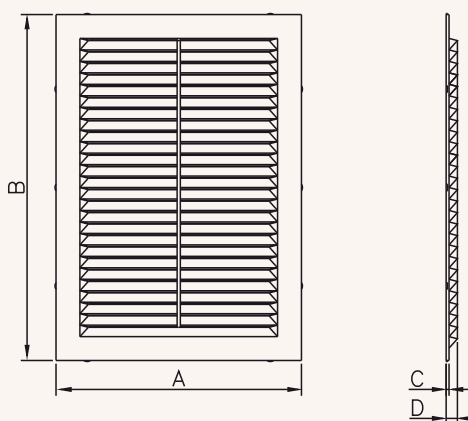
- white

Material: ABS

Used to finish off a square ventilation outlet and to distribute the air within a room. It is necessary to use a sealing agent for building, silicon or foam for fixing.



TECHNICAL DRAWING



	A	B	C	D
D/170x240 W	170	239	2	8

Model

EAN

Item number

Colour

Bulk packaging

D/170x240 W

590 2289 00899

007 - 0171

white

20 pcs.



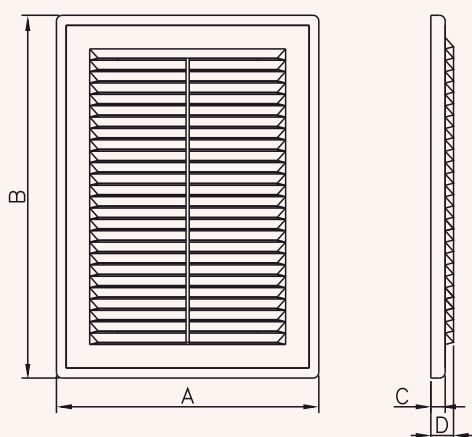


Ventilation grill with a frame (standard)

## D RW

D/180x250 RW

### TECHNICAL DRAWING



	A	B	C	D
D/180x250 RW	183	253	10	15

Typical sizes available:

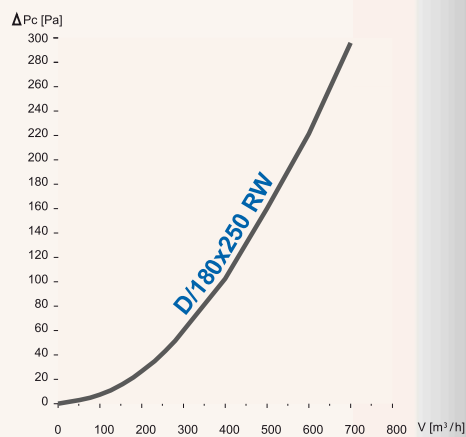
□180 x 250

Available colours:

- white

Material: ABS

Used in connections with rectangular ventilation ducts. The grill has a front removable frame which facilitates quick installation and cleaning.



Model	EAN	Item number	Colour	Bulk packaging
D/180x250 RW	590 2289 00900	007 - 0172	white	20 pcs.

# D W

D/220x120 W



Flat ventilation grill (standard)

Typical sizes available:

□ 220 x 120

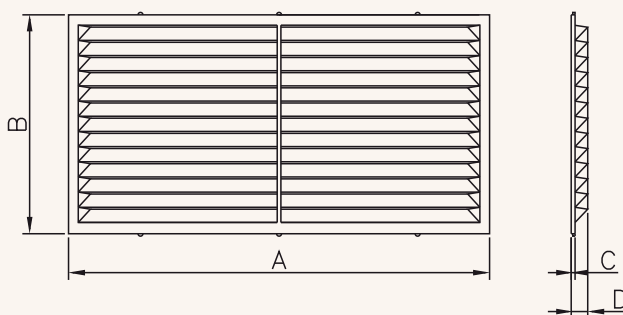
Available colours:

- white

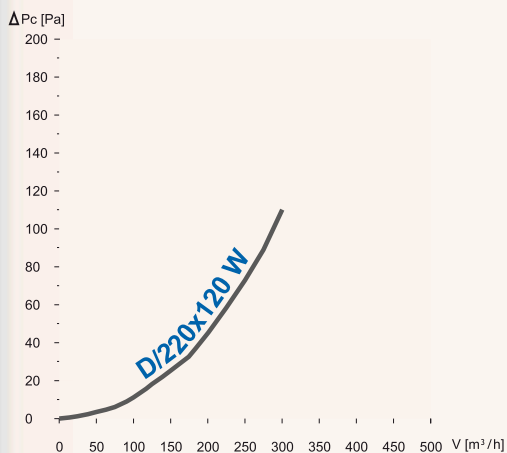
Material: ABS

Used to finish off a rectangular ventilation outlet and to distribute the air within a room. It is necessary to use a sealing agent such as silicon or foam to fix the ventilation cover.

## TECHNICAL DRAWING



	A	B	C	D
D/200x120 W	217	115	2	8



Model	EAN	Item number	Colour	Bulk packaging
D/220x120 W	590 2289 00896	007 - 0173	white	20 pcs.

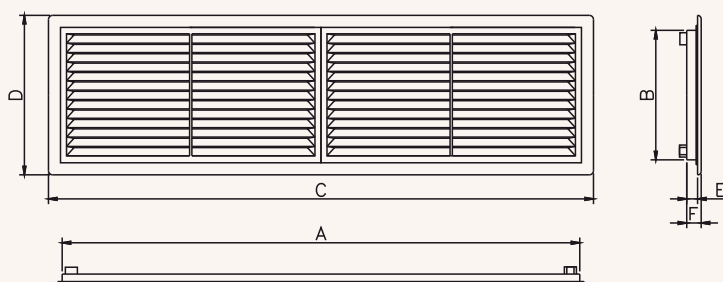


Ventilation grill with a frame (standard)

## D RW

D/430x110 RW

### TECHNICAL DRAWING



Typical sizes available:

□430 x 110

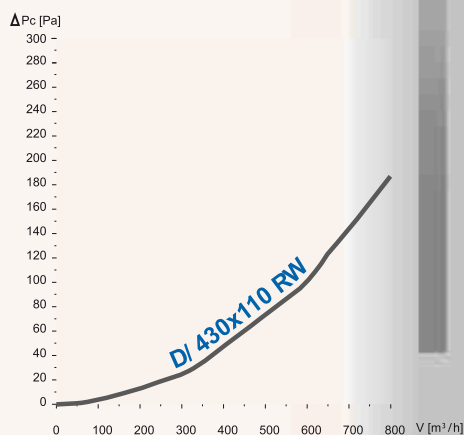
Available colours:

- white

Material: ABS

Used in connections with rectangular ventilation ducts. The grill has a removable frame section enabling quick installation and makes cleaning easier.

	A	B	C	D	E	F
D/430x110 RW	428	108	453	133	9	12



Model	EAN	Item number	Colour	Bulk packaging
D/430x110 RW	590 2289 00897	007 - 0174	white	20 pcs.

# D/15 WR

D/15 WR



Ventilation grill with mechanical shutters (standard)

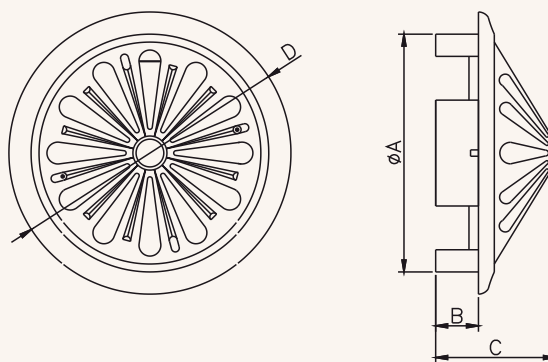
Available colours:

- white

Material: ABS

Used to finish off a rectangular ventilation outlet. The grill is fixed at the outlet of the ventilation duct, mechanical shutters prevent back drafts, odours and protect against moisture.

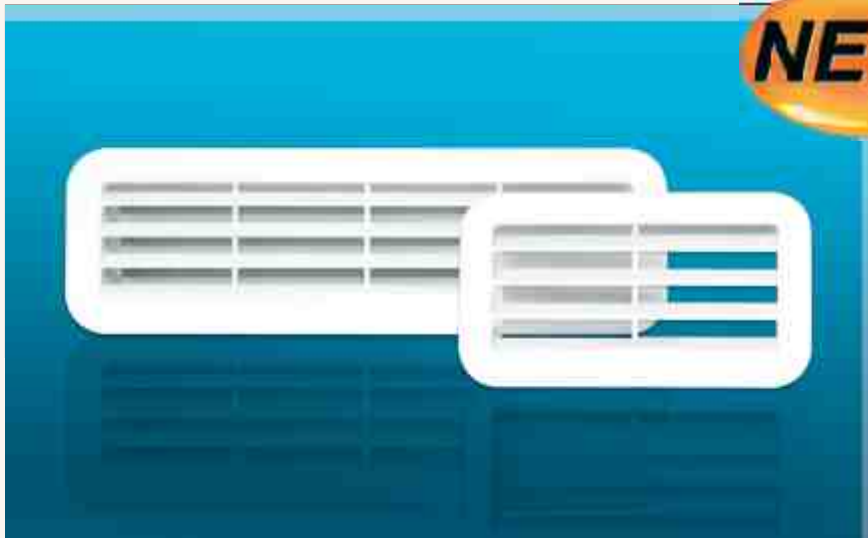
## TECHNICAL DRAWING



	ØA	B	C	D
D/15 WR	80-160	27	76	178

Model	EAN	Item number	Colour	Bulk packaging
D/15 WR	590 2289 00417	007 - 0271	white	20 pcs.

**NEW!**

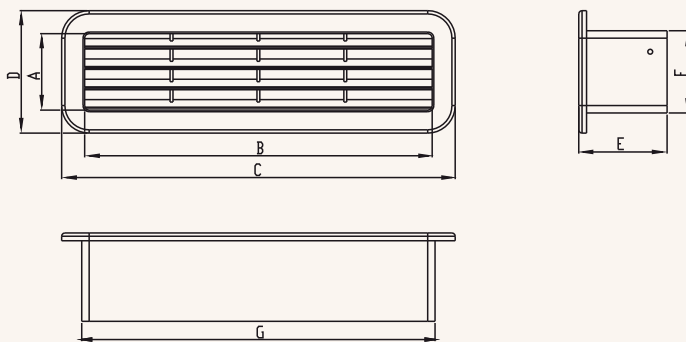


**KZP**

KZP 110 x 55  
KZP 220 x 55

Outside flat grills

TECHNICAL DRAWINGS

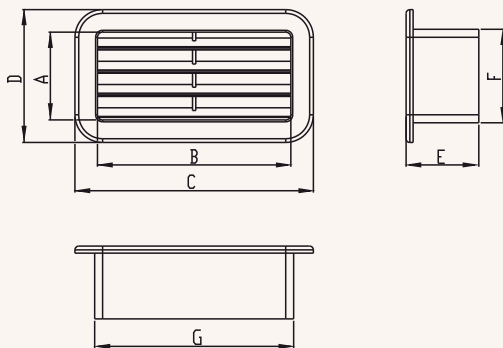


Typical sizes available:  
110 x 55, 220 x 55  
Available colours:  
- white  
Material: ABS

The outdoor use of flat grills is a method to finish a rectangular ventilation duct system.

These are used to complete a internal to external ventilation system.

	A	B	C	D	E	F	G
KZP 220 x 55	47	212	240	75	54	50	215



	A	B	C	D	E	F	G
KZP 110 x 55	47	103	127	71	39	50	106

Model	EAN	Item number	Colour	Bulk packaging
KZP 110 x 55	590 6713 40810	007 - 1511	white	20 pcs.
KZP 220 x 55	590 6713 40811	007 - 1512	white	20 pcs.

# KRO

KRO Ø100  
KRO Ø125  
KRO Ø150



Circular grill (standard)

**Typical sizes available:**

Ø100, Ø125, Ø150

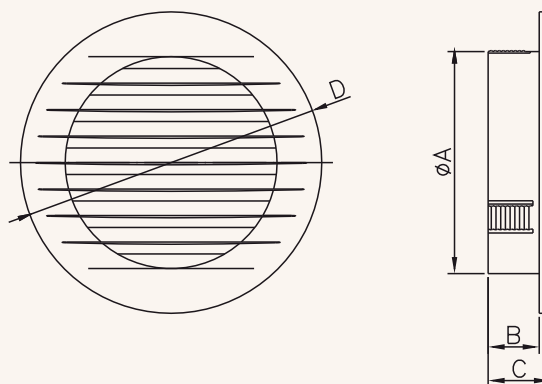
**Available colours:**

- white
- brown
- gold gloss
- gold mat
- silver gloss
- silver mat

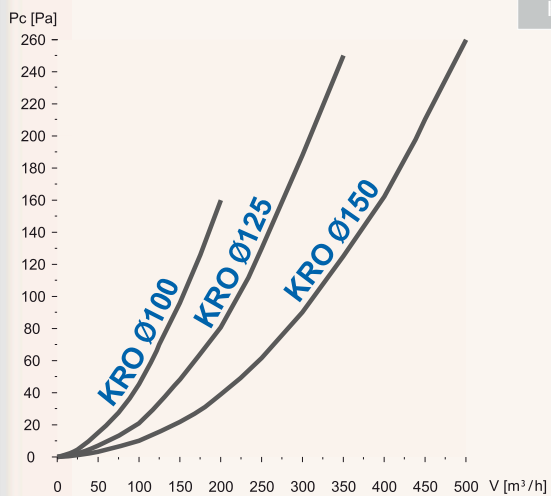
**Material:** ABS

A classic intake-exhaust grill: either used, to finish a circular external ventilation duct or used in regulating and distributing internal airflow.

## TECHNICAL DRAWING



	ØA	B	C	D
KRO Ø100	100	23	27	133
KRO Ø125	124	27	31	160
KRO Ø150	149	34	38	184



Model	EAN	Item number	Colour	Bulk packaging
KRO Ø100	590 2289 00405	007 - 0184	white	20 pcs.
KRO Ø100 /B	590 2289 00371	007 - 0312	brown	20 pcs.
KRO Ø100 /SP	590 2289 00419	007 - 0187	silver gloss	20 pcs.
KRO Ø100 /SM	590 2289 00379	007 - 0573	silver mat	20 pcs.
KRO Ø100 /ZP	590 2289 00415	007 - 0190	gold gloss	20 pcs.
KRO Ø100 /ZM	590 2289 00382	007 - 0576	gold mat	20 pcs.
KRO Ø100 /CZ	590 2289 00437	007 - 0653	black	20 pcs.
KRO Ø125	590 2289 00406	007 - 0185	white	20 pcs.
KRO Ø125 /B	590 2289 00368	007 - 0320	brown	20 pcs.
KRO Ø125 /SP	590 2289 00420	007 - 0188	silver gloss	20 pcs.
KRO Ø125 /SM	590 2289 00380	007 - 0574	silver mat	20 pcs.
KRO Ø125 /ZP	590 2289 00416	007 - 0191	gold mat	20 pcs.
KRO Ø125 /ZM	590 2289 00383	007 - 0577	gold gloss	20 pcs.
KRO Ø125 /CZ	590 2289 00438	007 - 0298	black	20 pcs.
KRO Ø150	590 2289 00407	007 - 0186	white	20 pcs.
KRO Ø150 /B	590 2289 00372	007 - 0310	brown	20 pcs.
KRO Ø150 /SP	590 2289 00421	007 - 0189	silver gloss	20 pcs.
KRO Ø150 /SM	590 2289 00381	007 - 0575	silver mat	20 pcs.
KRO Ø150 /ZP	590 2289 00418	007 - 0192	gold gloss	20 pcs.
KRO Ø150 /ZM	590 2289 00384	007 - 0578	gold mat	20 pcs.
KRO Ø150 /CZ	590 2289 00439	007 - 0655	black	20 pcs.

## DOSPEL BELLA

DOSPEL BELLA Ø100  
 DOSPEL BELLA Ø125  
 DOSPEL BELLA Ø150



Ventilation grill (standard)

Typical sizes available:

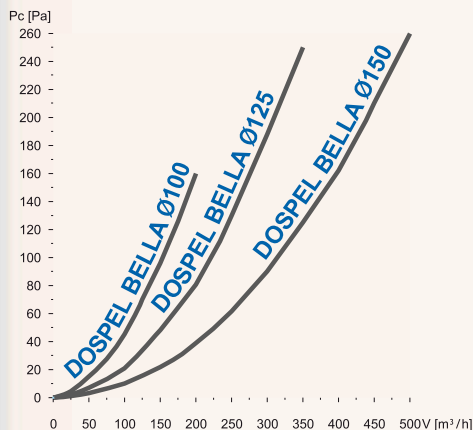
Ø100, Ø125, Ø150

Available colours:

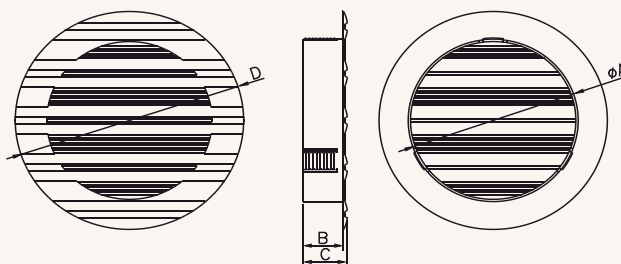
- white
- brown

Material: ABS

A modern design of the KRO intake-exhaust grill: either used, to finish a circular external ventilation duct or used in regulating and distributing internal airflow.



### TECHNICAL DRAWING



	ØA	B	C	D
DOSPEL BELLA Ø100	100	23	26	134
DOSPEL BELLA Ø125	124	27	30	160
DOSPEL BELLA Ø150	149	34	37	184

Model	EAN	Item number	Colour	Bulk packaging
DOSPEL BELLA Ø100	590 7466 67061	007 - 1023	white	20 pcs.
DOSPEL BELLA Ø100 /B	590 7466 67064	007 - 1020	brown	20 pcs.
DOSPEL BELLA Ø125	590 7466 67060	007 - 1024	white	20 pcs.
DOSPEL BELLA Ø125 /B	590 7466 67063	007 - 1021	brown	20 pcs.
DOSPEL BELLA Ø150	590 7466 67059	007 - 1025	white	20 pcs.
DOSPEL BELLA Ø150 /B	590 7466 67062	007 - 1022	brown	20 pcs.



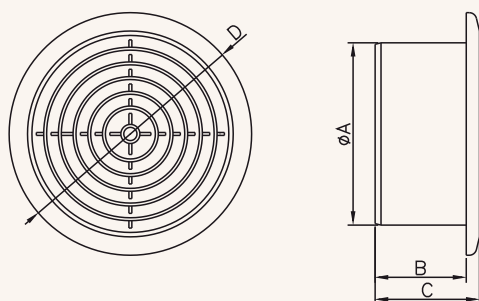


Ceiling grill (standard)

# KOS

KOS Ø100  
KOS Ø125  
KOS Ø150

## TECHNICAL DRAWING



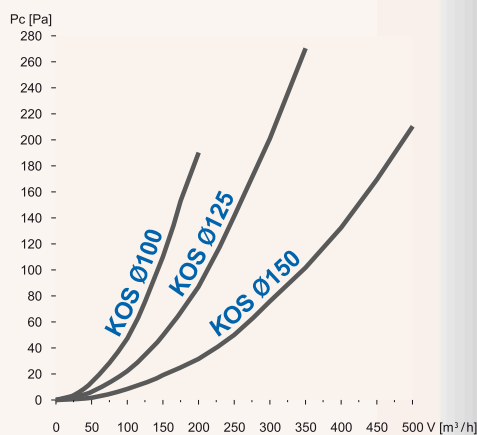
	ØA	B	C	D
KOS Ø100	99	58	68	144
KOS Ø125	124	62	71	165
KOS Ø150	149	65	74	188

Typical sizes available:  
Ø100, Ø125, Ø150

Available colours:  
- white

Material: ABS

Used for fixing on the ceiling  
on circular ventilation ducts.



Model	EAN	Item number	Colour	Bulk packaging
KOS Ø100	590 2289 00886	007 - 0426	white	20 pcs.
KOS Ø125	590 2289 00887	007 - 0427	white	20 pcs.
KOS Ø150	590 2289 00888	007 - 0428	white	20 pcs.

# KKS

- KKS Ø100
- KKS Ø125
- KKS Ø150
- KKS □135
- KKS □165



Square ceiling grill (standard)

Typical sizes available:

- Ø100, Ø125, Ø150
- 135, □165

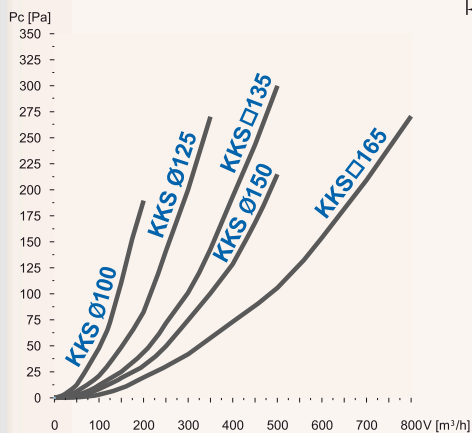
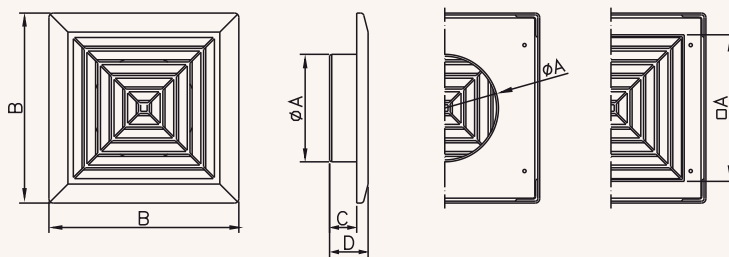
Available colours:

- white

Material: ABS

Used for fixing on the ceiling on circular ventilation ducts. The shape of the cover creates effective air dissipation providing four directions of airflow.

## TECHNICAL DRAWING



	Ø/□A	B	C	D
KKS Ø100	100	174	23	35
KKS Ø125	125	174	23	35
KKS Ø150	148	203	25	37
KKS □135	134	174	15	27
KKS □165	164	203	18	30

Model	EAN	Item number	Colour	Bulk packaging
KKS Ø100	590 2289 00881	007 - 0429	white	20 pcs.
KKS Ø125	590 2289 00882	007 - 0430	white	20 pcs.
KKS Ø150	590 2289 00883	007 - 0432	white	20 pcs.
KKS □135	590 2289 00884	007 - 0431	white	20 pcs.
KKS □165	590 2289 00885	007 - 0433	white	20 pcs.

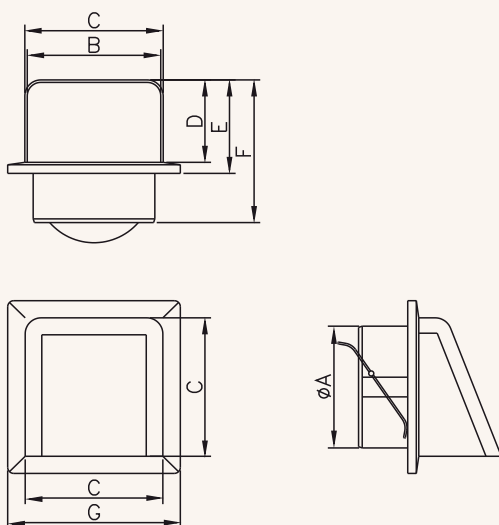


Cowled wall outlet - with damper, round spigot

## KRD

KRD Ø100

### TECHNICAL DRAWING



Typical sizes available:

Ø100

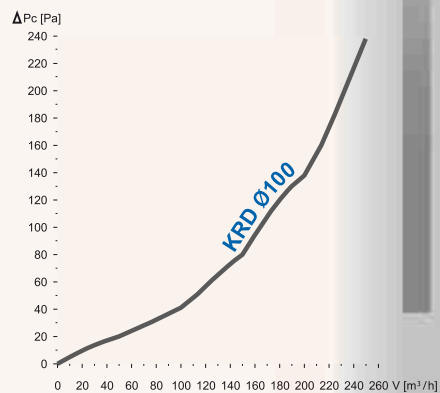
Available colours:

- white

- brown

Material: ABS

This cowled wall outlet provides a downward direction of air to the outside of external walls.



	ØA	B	C	D	E	F	G
KRD Ø100	99	108	112	67	76	116	140

Model	EAN	Item number	Colour	Bulk packaging
KRD Ø100	590 2289 00411	007 - 0201	white	10 pcs.
KRD Ø100 / B	590 2289 00449	007 - 0317	white	10 pcs.

## D/14 OW

D/14 OW Ø100  
D/14 OW Ø125



Ventilation grill with a hole (standard)

Typical sizes available:

Ø100, Ø125

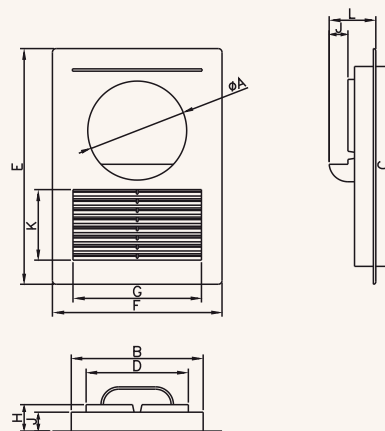
Available colours:

- white

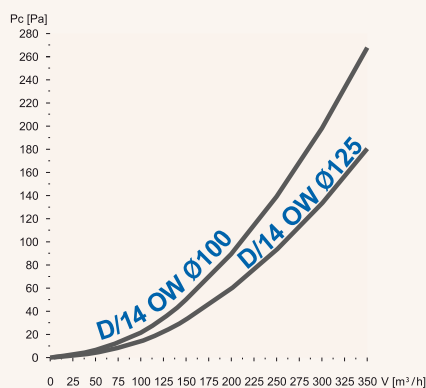
Material: ABS

Used to finish off a rectangular ventilation outlet. The model has a circular hole for connection to a circular shaped duct, for example a kitchen hood ventilation duct. It is equipped with an air direction regulator and additional holes for gravity ventilation.

### TECHNICAL DRAWING



	ØA	B	C	D	E	F	G	H	J	K	L
D/14 OW Ø100	105	140	212	108	250	180	136	28	20	75	50
D/14 OW Ø125	130	140	211	133	250	180	136	28	20	65	49



Model	EAN	Item number	Colour	Bulk packaging
D/14 OW Ø100	590 2289 00944	007 - 0159	white	20 pcs.
D/14 OW Ø125	590 2289 00535	007 - 0663	white	20 pcs.

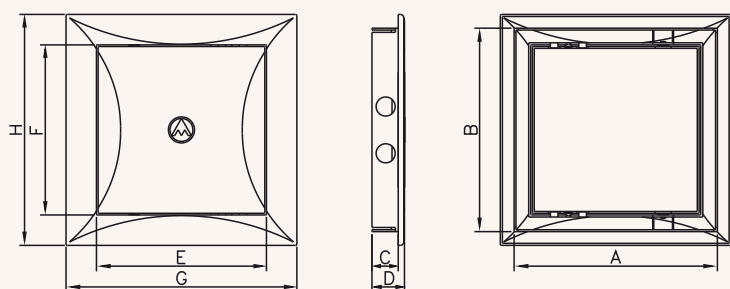


Access door

## DR

- DR 150 x 150
- DR 150 x 200
- DR 200 x 200
- DR 200 x 250
- DR 200 x 300
- DR 250 x 300
- DR 300 x 300
- DR 300 x 400

### TECHNICAL DRAWING



**Typical sizes available:**

- 150 x 150, 150 x 200,
- 200 x 200, 200 x 250,
- 200 x 300, 250 x 300,
- 300 x 300, 300 x 400

**Available colours:**

- white

Access door made of high-quality plastic ABS. They are used for decorative finish of places which require frequent checks (sanitary and technical connections, elements of ventilation systems, etc.).

	A	B	C	D	E	F	G	H
DR 150 x 150	147	147	19	24	123	123	167	167
DR 150 x 200	148	197	19	24	123	173	167	217
DR 200 x 200	197	197	19	24	173	173	217	217
DR 200 x 250	197	247	19	24	173	223	217	266
DR 200 x 300	197	296	19	24	173	272	217	316
DR 250 x 300	245	326	19	24	222	300	266	345
DR 300 x 300	296	296	19	24	272	272	316	316
DR 300 x 400	296	396	19	24	272	371	316	415

Model	EAN	Item number	Colour	Bulk packaging
DR 150 x 150	590 7466 67273	007 - 1241	white	20 pcs.
DR 150 x 200	590 7466 67274	007 - 1242	white	20 pcs.
DR 200 x 200	590 7466 67275	007 - 1243	white	10 pcs.
DR 200 x 250	590 7466 67276	007 - 1244	white	20 pcs.
DR 200 x 300	590 7466 67277	007 - 1245	white	20 pcs.
DR 300 x 300	590 7466 67279	007 - 1247	white	20 pcs.
DR 300 x 400	590 7466 67280	007 - 1248	white	20 pcs.

# D/AKO

D/AKO Ø130



Circular aluminium grill (standard)

Typical sizes available:

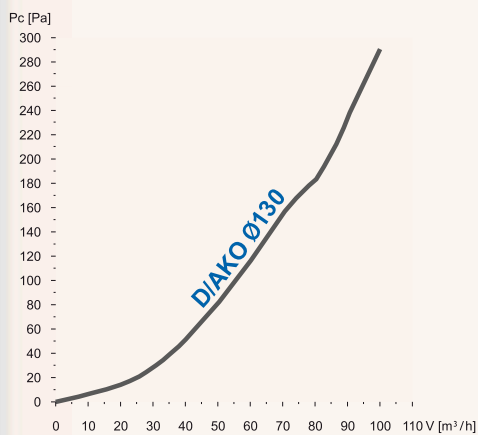
Ø130

Available colours:

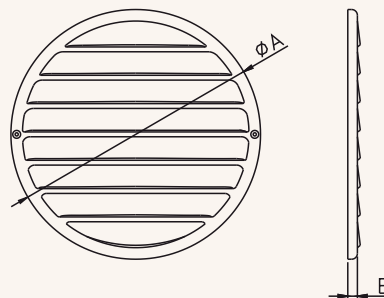
- aluminium
- white
- brown
- antique silver
- antique gold
- brushed aluminium

Material: aluminium, brushed aluminium

Suitable for fixing in circular-section ducts.



## TECHNICAL DRAWING



	ØA	B
D/AKO Ø130	127	5

Model	EAN	Item number	Colour	Bulk packaging
D/ AKO Ø130 /Al.	590 7466 67263	007 - 1235	aluminium	20 pcs.
D/ AKO Ø130	590 2289 00936	007 - 0197	white	20 pcs.
D/ AKO Ø130 /B	590 2289 00441	007 - 0648	brown	20 pcs.
D/ AKO Ø130 /A-S	590 2289 00385	007 - 0547	antique silver	20 pcs.
D/ AKO Ø130 /A-Z	590 2289 00386	007 - 0548	antique gold	20 pcs.
D/ AKO Ø130 /As	590 6713 40572	007 - 1500	brushed aluminium	20 pcs.



Rectangular aluminium grill (standard)

## D/AKP

D/AKP □150x200  
D/AKP □175x250

Typical sizes available:

□150 x 200, □175 x 250

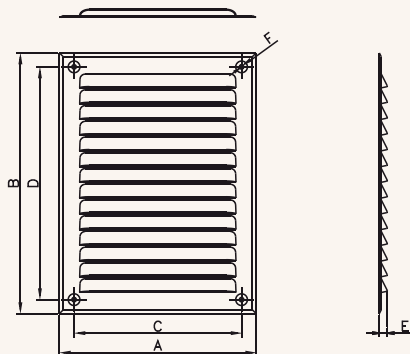
Available colours:

- aluminium
- white
- brown
- antique silver
- antique gold
- brushed aluminium

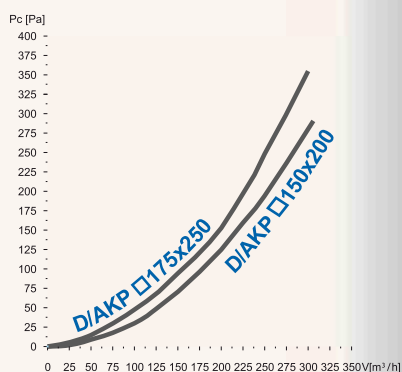
Material: aluminium,  
brushed aluminium

Equipped with an air-damper.  
Suitable for outdoor use.

### TECHNICAL DRAWING



	A	B	C	D	E	F
D/AKP □150x200	150	200	128	178	6	3,5
D/AKP □175x250	175	250	148	221	6	4



Model	EAN	Item number	Colour	Bulk packaging
D/ AKP □150x200 /Al.	590 7466 67264	007 - 1236	aluminum	20 pcs.
D/ AKP □150x200	590 2289 00934	007 - 0196	white	20 pcs.
D/ AKP □150x200 /B	590 2289 00442	007 - 0649	brown	20 pcs.
D/ AKP □150x200 /A-S	590 2289 00393	007 - 0541	antique silver	20 pcs.
D/ AKP □150x200 /A-Z	590 2289 00394	007 - 0539	antique gold	20 pcs.
D/ AKP □150x200 /As	590 6713 40567	007 - 1495	brushed aluminium	20 pcs.
D/ AKP □175x250 /Al.	590 7466 67265	007 - 1237	aluminum	20 pcs.
D/ AKP □175x250	590 2289 00879	007 - 0440	white	20 pcs.
D/ AKP □175x250 /B	590 2289 00440	007 - 0651	brown	20 pcs.
D/ AKP □175x250 /A-S	590 2289 00395	007 - 0542	antique silver	20 pcs.
D/ AKP □175x250 /A-Z	590 2289 00396	007 - 0540	antique gold	20 pcs.
D/ AKP □175x250 /As	590 6713 40568	007 - 1496	brushed aluminium	20 pcs.

# D/AKK

- D/AKK □150
- D/AKK □175
- D/AKK □200



Square aluminium grill (standard)

## TECHNICAL DRAWING

Typical sizes available:

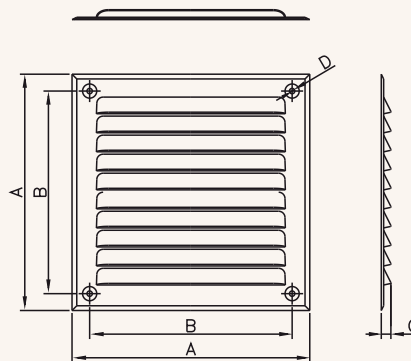
- 150, □175, □200

Available colours:

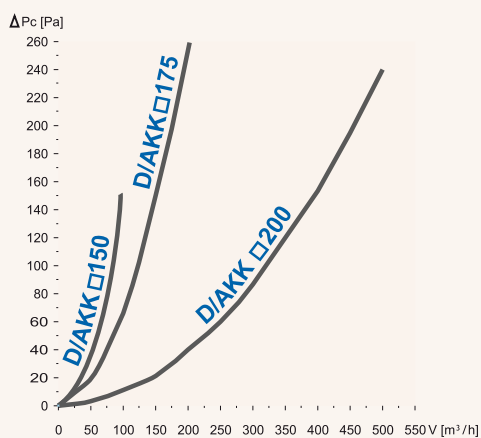
- aluminium
- white
- brown
- antique silver
- antique gold
- brushed aluminium

Material: aluminium, brushed aluminium

Suitable for fixing in square-section ducts.



	A	B	C	D
D/AKK □150	151	129	6	3,5
D/AKK □175	175	153	6	5,5
D/AKK □200	200	179	6	5,5





Model	EAN	Item number	Colour	Bulk packaging
D/ AKK□150 /Al.	590 7466 67266	007 - 1238	aluminum	20 pcs.
D/ AKK□150	590 2289 00935	007 - 0193	white	20 pcs.
D/ AKK□150 /B	590 2289 00536	007 - 0645	brown	20 pcs.
D/ AKK□150 /A-S	590 2289 00387	007 - 0545	antique silver	20 pcs.
D/ AKK□150 /A-Z	590 2289 00388	007 - 0543	antique gold	20 pcs.
D/ AKK□150 /As	590 6713 40571	007 - 1499	brushed aluminium	20 pcs.
D/ AKK□175 /Al.	590 7466 67267	007 - 1239	aluminum	20 pcs.
D/ AKK□175	590 2289 00880	007 - 0441	white	20 pcs.
D/ AKK□175 /B	590 2289 00443	007 - 0646	brown	20 pcs.
D/ AKK□175 /A-S	590 2289 00389	007 - 0546	antique silver	20 pcs.
D/ AKK□175 /A-Z	590 2289 00390	007 - 0544	antique gold	20 pcs.
D/ AKK□175 /As	590 6713 40570	007 - 1498	brushed aluminium	20 pcs.
D/ AKK□200 /Al.	590 7466 67268	007 - 1240	aluminum	20 pcs.
D/ AKK□200	590 2289 00933	007 - 0194	white	20 pcs.
D/ AKK□200 /B	590 2289 00365	007 - 0647	brown	20 pcs.
D/ AKK□200 /A-S	590 2289 00391	007 - 0579	antique silver	20 pcs.
D/ AKK□200 /A-Z	590 2289 00392	007 - 0580	antique gold	20 pcs.
D/ AKK□200 /As	590 6713 40569	007 - 1497	brushed aluminium	20 pcs.



**KK**

- KK 110 x 170
- KK 110 x 240
- KK 170 x 170
- KK 170 x 300
- KK 170 x 490



Fireplace grills

Typical sizes available:

- 110 x 170, 110 x 240,
- 170 x 170, 170 x 300,
- 170 x 490

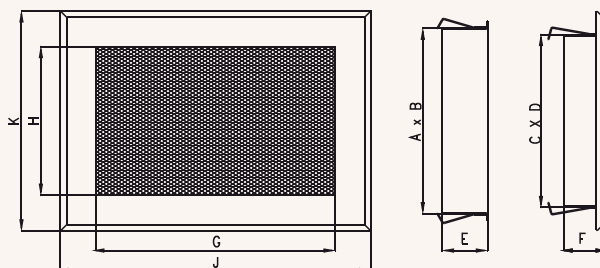
Available colours:

- white
- brown
- antique silver
- antique gold

Material: galvanized steel painted with powder paint

Fireplace grills are a practical and aesthetic method of finishing a fireplace system. They are used to finish ventilation holes. They can be installed in fireplace ducts, walls and floors. Fireplace grills are made of zinc coated metal sheet, powder painted, which ensure a high quality of finish and high thermal resistance. Each fireplace grill has an internal installation frame, this provides an easier method of installing the grill.

TECHNICAL DRAWING



	A	B	C	D	E	F	G	H	J	K
KK 110 x 170	84	144	135	75	35	34	115	55	170	110
KK 110 x 240	84	214	205	75	35	34	185	55	240	110
KK 170 x 170	144	144	135	135	35	34	115	115	170	170
KK 170 x 300	144	274	265	135	35	34	245	115	300	170
KK 170 x 490	144	464	455	135	35	34	435	115	490	170

Model	EAN	Item number	Colour	Bulk packaging
KK 170x110	590 6713 40200	007 - 1457	white	10 pcs.
KK 170x110 /B	590 6713 40205	007 - 1462	brown	10 pcs.
KK 170x110 /A-S	590 6713 40210	007 - 1467	antique silver	10 pcs.
KK 170x110 /A-Z	590 6713 40215	007 - 1472	antique gold	10 pcs.
KK 170x170	590 6713 40201	007 - 1458	white	10 pcs.
KK 170x170 /B	590 6713 40206	007 - 1463	brown	10 pcs.
KK 170x170 /A-S	590 6713 40211	007 - 1468	antique silver	10 pcs.
KK 170x170 /A-Z	590 6713 40216	007 - 1473	antique gold	10 pcs.
KK 240x110	590 6713 40202	007 - 1459	white	10 pcs.
KK 240x110 /B	590 6713 40207	007 - 1464	brown	10 pcs.
KK 240x110 /A-S	590 6713 40212	007 - 1469	antique silver	10 pcs.
KK 240x110 /A-Z	590 6713 40217	007 - 1474	antique gold	10 pcs.
KK 170x300	590 6713 40203	007 - 1460	white	10 pcs.
KK 170x300 /B	590 6713 40208	007 - 1465	brown	10 pcs.
KK 170x300 /A-S	590 6713 40213	007 - 1470	antique silver	10 pcs.
KK 170x300 /A-Z	590 6713 40218	007 - 1475	antique gold	10 pcs.
KK 170x490	590 6713 40204	007 - 1461	white	10 pcs.
KK 170x490 /B	590 6713 40209	007 - 1466	brown	10 pcs.
KK 170x490 /A-S	590 6713 40214	007 - 1471	antique silver	10 pcs.
KK 170x490 /A-Z	590 6713 40219	007 - 1476	antique gold	10 pcs.

# TRN

TRN Ø150  
TRN Ø200

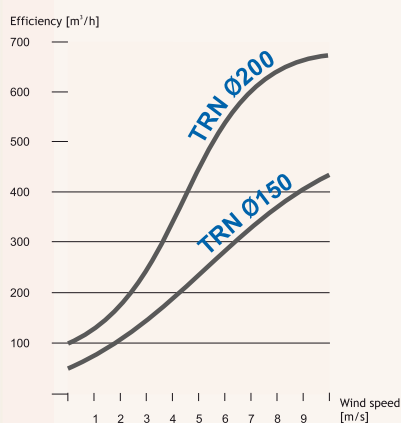
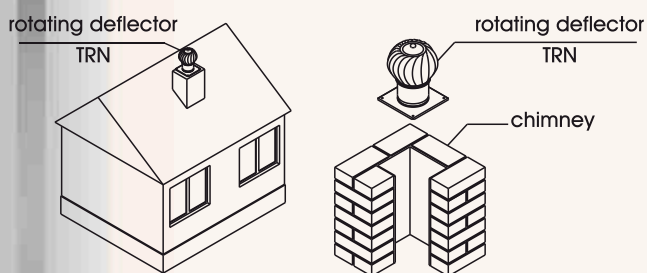
Typical sizes available:  
Ø150, Ø200

Available colours:  
- silver  
- brown

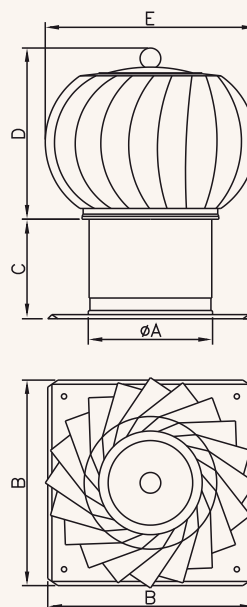


Rotating deflector

Rotating deflector uses the power of wind to support chimney draft. It is designed to be installed at the outlets of for vertical ventilation ducts.



## TECHNICAL DRAWING



	ØA	B	C	D	E
TRN Ø150	146	248	110	205	254
TRN Ø200	196	330	115	245	314

Model	EAN	Item number	Colour	Bulk packaging
TRN Ø150	590 2289 00951	007 - 0148	silver	6 pcs.
TRN Ø150 /B	590 2289 00952	007 - 0149	brown	6 pcs.
TRN Ø200	590 2289 00958	007 - 0417	silver	4 pcs.
TRN Ø200 /B	590 2289 00959	007 - 0418	brown	4 pcs.



Chimney cap

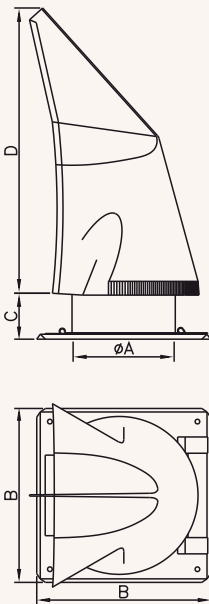
## TWIST

TWIST Ø160  
 TWIST Ø160 /CH-N  
 TWIST Ø200  
 TWIST Ø200 /CH-N

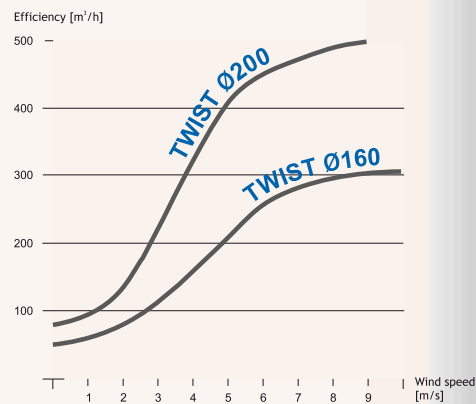
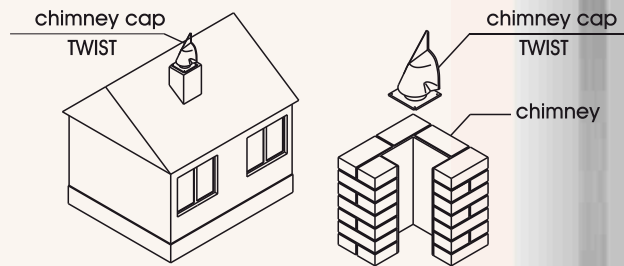
Typical sizes available:  
 Ø160, Ø200  
 Available colours:  
 - silver

The twist chimney caps sit on the top of vertical updraft outlets they can assist the updraft by using the updraft itself and the natural wind. They are produced in two sizes Ø160 and Ø200 and are either produced in galvanised steel or chrome nickel.

### TECHNICAL DRAWING



	ØA	B	C	D
TWIST Ø160	146	245	63	406
TWIST Ø200	196	255	65	406



Model	EAN	Item number	Colour	Bulk packaging
TWIST Ø160	590 2289 00980	007 - 0419	silver	1 pcs.
TWIST Ø160 /CH-N	590 2289 00998	007 - 0471	silver	1 pcs.
TWIST Ø200	590 2289 00981	007 - 0420	silver	1 pcs.
TWIST Ø200 /CH-N	590 2289 00999	007 - 0472	silver	1 pcs.

# WWO

WWO Ø150

Typical sizes available:  
Ø150

Available colours:

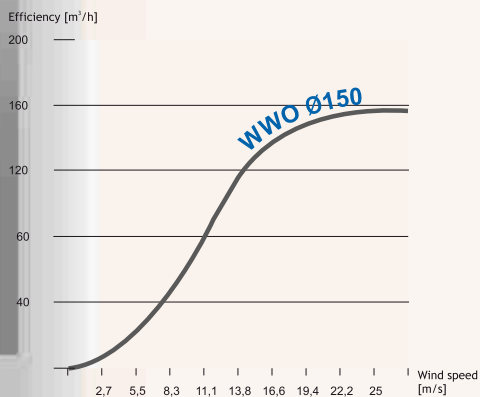
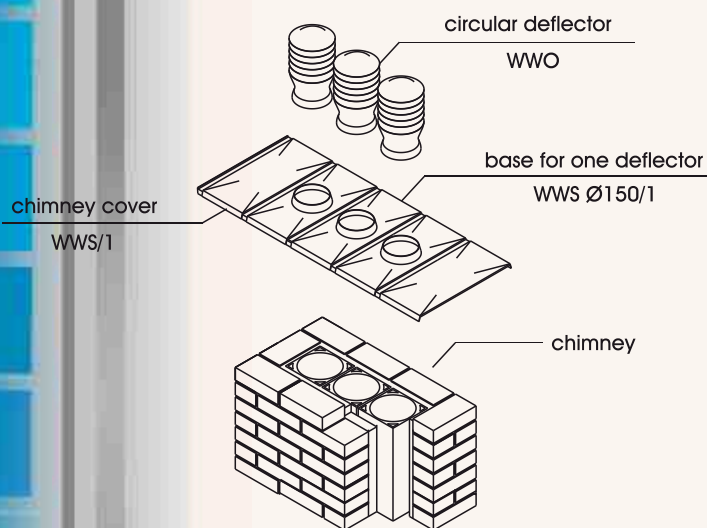
- blue
- red
- brown

Material: polyester resin with glass fibre addition

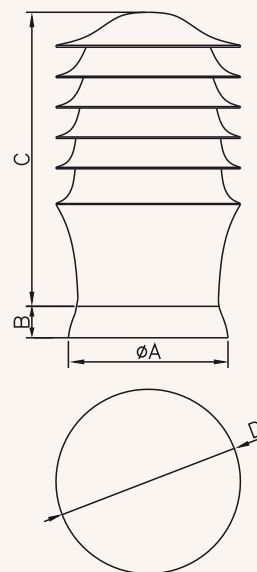
Circular deflector are produced from durable and light materials. It protects against rainfall and snowfall.



Circular deflector

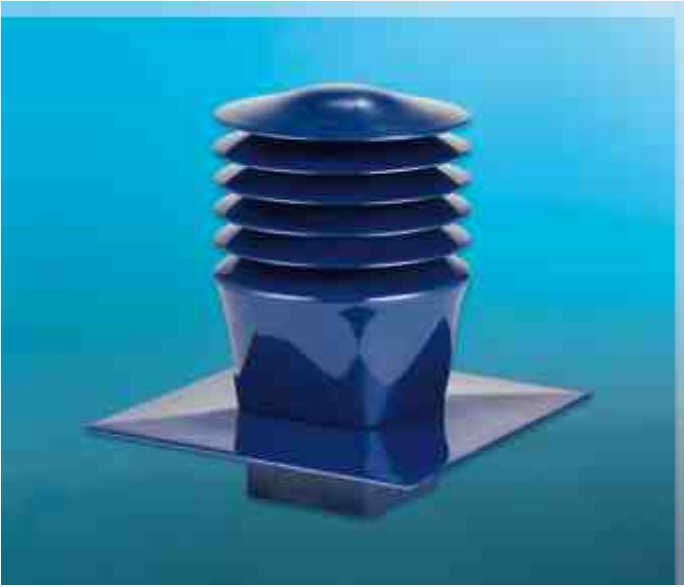


## TECHNICAL DRAWING



	ØA	B	C	D
WWO Ø150	162	33	298	191

Model	EAN	Item number	Colour	Bulk packaging
WWO Ø150	590 2289 00946	007 - 0142	blue	1 pcs.
WWO Ø150	590 2289 00983	007 - 0554	red	1 pcs.
WWO Ø150	590 2289 00982	007 - 0553	brown	1 pcs.



Square deflector

**WWK**

WWK □140

Typical sizes available:

□140

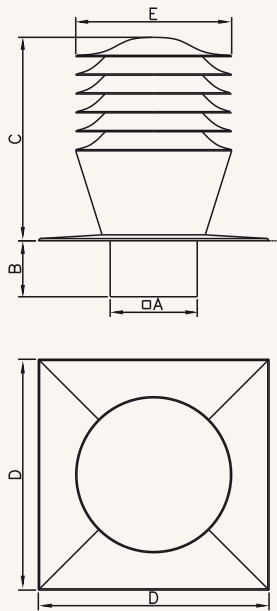
Available colours:

- blue
- red
- brown

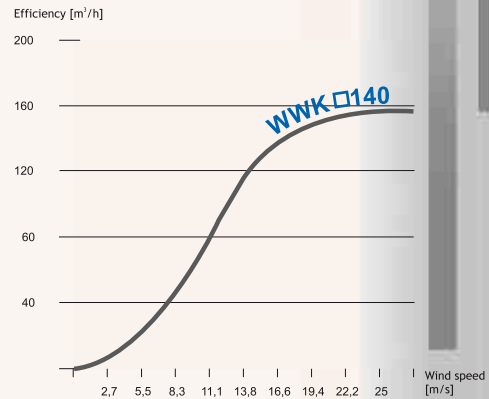
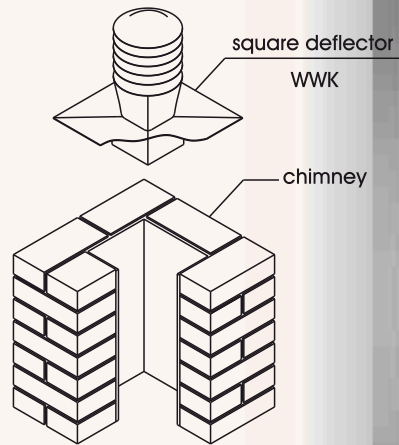
Material: polyester resin with glass fibre addition.

Square deflector produced from durable and light material: polyester resin with glass fibre addition. It protects against rainfall and snowfall.

TECHNICAL DRAWING



	□A	B	C	D	E
WWK□140	140	90	317	371	251



Model	EAN	Item number	Colour	Bulk packaging
WWK□140	590 2289 00945	007 - 0143	blue	1 pcs.
WWK□140	590 2289 00987	007 - 0552	red	1 pcs.
WWK□140	590 2289 00986	007 - 0551	brown	1 pcs.

# WWS/1 WWS/2

WWS/1  
WWS/2



Single and double chimney cover

**Available colours:**

- blue
- red
- brown

**Material:** polyester resin with glass fibre addition

Single chimney covers are produced from durable and light materials. They are used on uncovered parts of the ventilation shaft or chimney channel to protect against rainfall and snowfall.

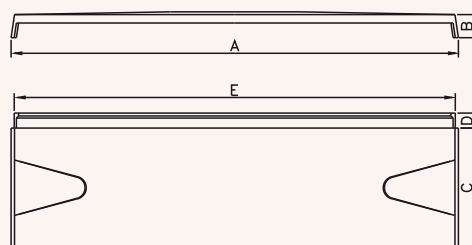
**Available colours:**

- blue
- red
- brown

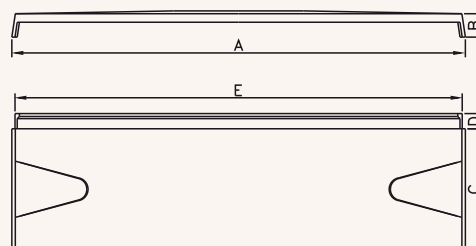
**Material:** polyester resin with glass fibre addition

Double chimney covers are produced from durable and light materials. They are used on uncovered parts of the ventilation shaft or chimney channel to protect against rainfall and snowfall.

## TECHNICAL DRAWINGS



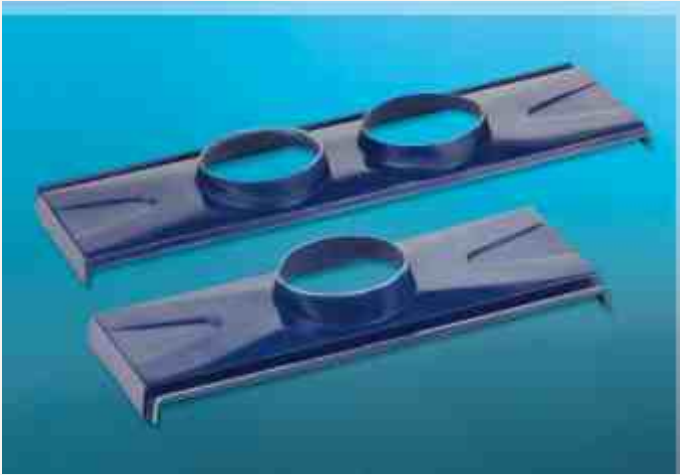
	A	B	C	D	E
WWS/1	549	37	170	24	540



	A	B	C	D	E
WWS/2	717	37	170	24	707

Model	EAN	Item number	Colour	Bulk packaging
WWS/1	590 2289 00948	007 - 0146	blue	1 pcs.
WWS/1	590 2289 00993	007 - 0562	red	1 pcs.
WWS/1	590 2289 00992	007 - 0561	brown	1 pcs.
WWS/2	590 2289 00950	007 - 0147	blue	1 pcs.
WWS/2	590 2289 00995	007 - 0564	red	1 pcs.
WWS/2	590 2289 00994	007 - 0563	brown	1 pcs.



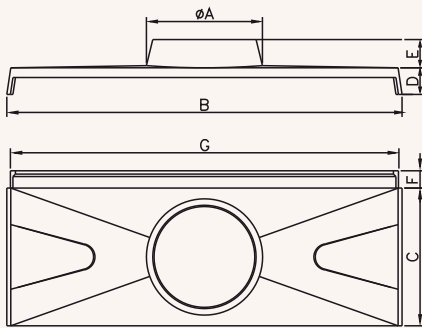


## WWS Ø150/1 WWS Ø150/2

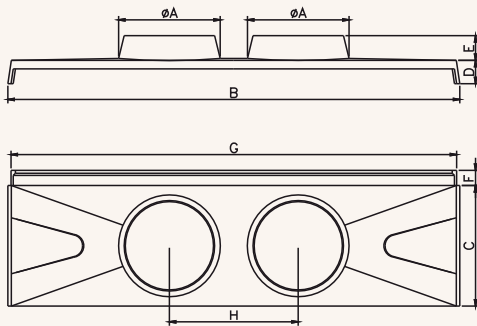
WWS Ø150/1  
WWS Ø150/2

Base for one deflector and base for two deflectors

### TECHNICAL DRAWINGS



	ØA	B	C	D	E	F	G
WWS Ø150/1	160	549	191	37	39	24	540



	ØA	B	C	D	E	F	G	H
WWS Ø150/2	160	717	191	37	39	24	707	205

Typical sizes available:

Ø150

Available colours:

- blue
- red
- brown

Material: polyester resin  
with glass fibre addition

The WWS Base 1 sections are produced from a durable lightweight material. The WWS Ø150/1 provides one outlet or hole to attach a deflector for increased updraft capacity, and protection from rainfall.

Typical sizes available:

Ø150

Available colours:

- blue
- red
- brown

Material: polyester resin  
with glass fibre addition

The WWS Base 2 sections are produced from a durable lightweight material. The WWS Ø150/2 provides one outlet or hole to attach a deflector for increased updraft capacity, and protection from rainfall.

Model	EAN	Item number	Colour	Bulk packaging
WWS Ø150/1	590 2289 00947	007 - 0144	blue	1 pcs.
WWS Ø150/1	590 2289 00989	007 - 0558	red	1 pcs.
WWS Ø150/1	590 2289 00988	007 - 0557	brown	1 pcs.
WWS Ø150/2	590 2289 00949	007 - 0145	blue	1 pcs.
WWS Ø150/2	590 2289 00991	007 - 0560	red	1 pcs.
WWS Ø150/2	590 2289 00990	007 - 0559	brown	1 pcs.

# WWO/Ł

WWO/Ł Ø150



Connector for the deflector

Typical sizes available:

Ø150

Available colours:

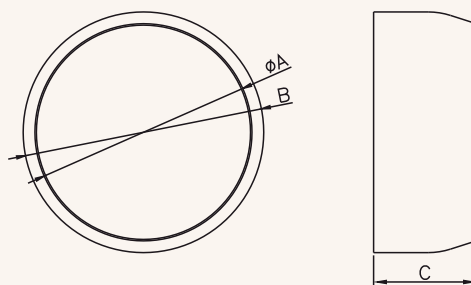
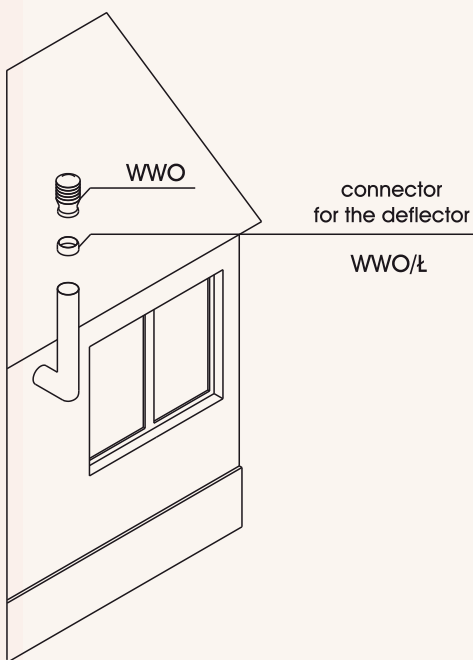
- blue
- red
- brown

Material: polyester resin with glass fibre addition

The WWO/Ł provides a connection between a duct and a deflector ventilator, and it ensures an accurate connection between a duct and a vent.

an accurate

## TECHNICAL DRAWING



	ØA	B	C
WWO/Ł Ø150	148	164	70

Model	EAN	Item number	Colour	Bulk packaging
WWO/Ł Ø150	590 2289 00957	007 - 0345	blue	1 pcs.
WWO/Ł Ø150	590 2289 00985	007 - 0556	red	1 pcs.
WWO/Ł Ø150	590 2289 00984	007 - 0555	brown	1 pcs.

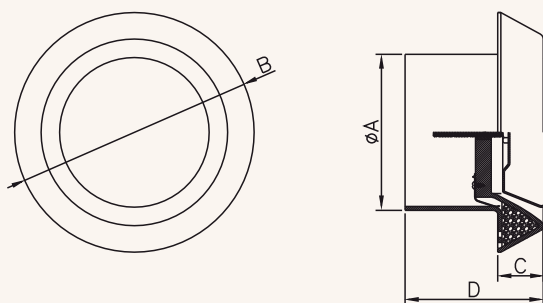


Circular air diffusers

## AN

AN Ø100  
AN Ø125  
AN Ø150

### TECHNICAL DRAWING



	ØA	B	C	D
AN Ø100	99	152	20	78
AN Ø125	124	163	20	82
AN Ø150	150	193	20	83

Typical sizes available:

Ø100, Ø125, Ø150

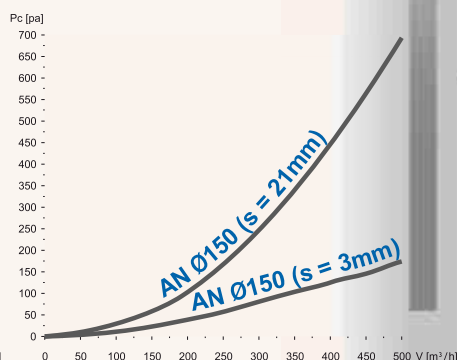
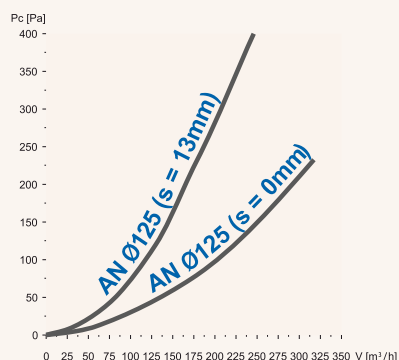
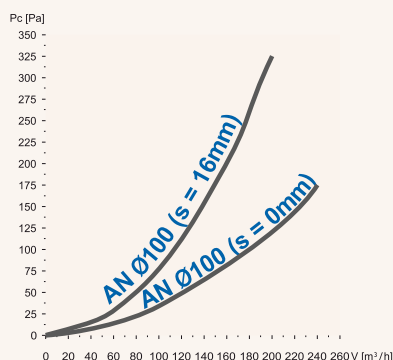
Available colours:

- white

Material: ABS

These circular air diffusers are fitted in the ceilings and terminate a ventilation system. They can be manually altered to increase or decrease air flow.

Our range includes diffusers made of metal and covered with powder paint. They have a high thermal durability and they are used as finish elements for ducts in hot air distribution systems.



Model	EAN	Item number	Colour	Bulk packaging
AN Ø100	590 2289 00408	007 - 0198	white	10 pcs.
AN Ø125	590 2289 00409	007 - 0199	white	10 pcs.
AN Ø150	590 2289 00410	007 - 0200	white	10 pcs.



**KD**

KD 90 x 445  
KD 70 x 450

Door grills

Typical sizes available:

70 x 450, 90 x 445

Available colours:

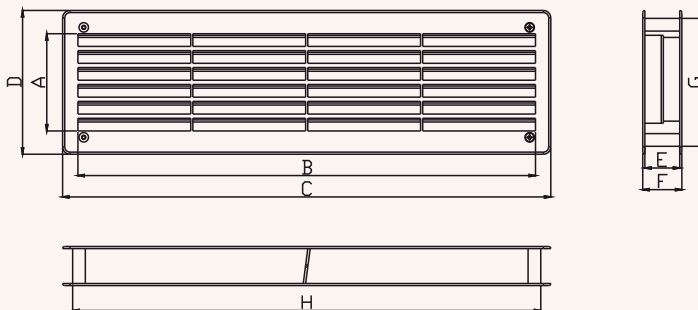
white

Material:

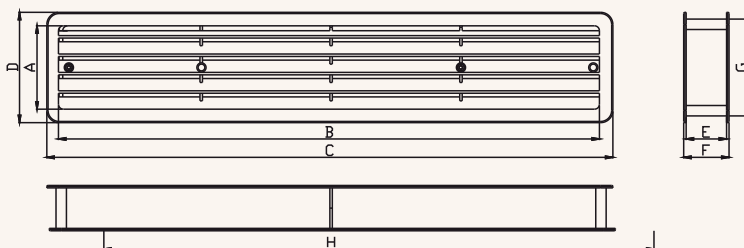
ABS

These door's grills allow ventilation to pass through closed doors, they are normally fixed in the bottom of the door and are found in various types of rooms, apartments and utility rooms.

TECHNICAL DRAWING



	A	B	C	D	E	F	G	H
KD 90 x 445	92	433	462	136	33	37	121	443



	A	B	C	D	E	F	G	H
KD 70 x 450	68	441,5	464	90	33	37	79	449

Model	EAN	Item number	Colour	Bulk packaging
KD 90 x 445	590 6713 40593	007 - 1490	white	10 pcs.
KD 70 x 450	590 6713 40594	007 - 1491	white	10 pcs.

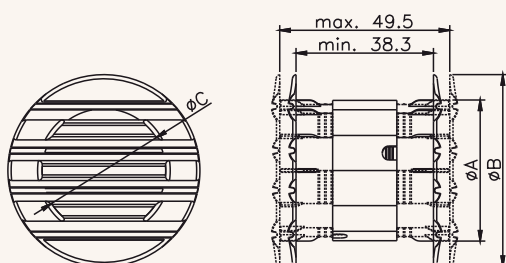


## RD 40

RD 40

Rosette of the door

### TECHNICAL DRAWING



#### Available colours:

- white
- dark beige
- brown
- beige
- gold
- silver

Material: ABS

These rosettes allow ventilation to pass through closed doors, they are normally fixed in the bottom of the door and are available in six different colours.

	ØA	ØB	ØC
RD 40	38,5	33	53

Model	EAN	Item number	Colour	Bulk packaging
RD 40	590 2289 00218	007 - 0696	white	20 pcs.
RD 40 /C-BZ	590 2289 00537	007 - 0699	dark beige	20 pcs.
RD 40 /BZ	590 2289 00219	007 - 0697	beige	20 pcs.
RD 40 /Z	590 2289 00538	007 - 0700	gold	20 pcs.
RD 40 /S	590 2289 00539	007 - 0701	silver	20 pcs.
RD 40 /B	590 2289 00540	007 - 0702	brown	20 pcs.

# VENTILATION SYSTEMS AND ACCESSORIES:



## Rectangular duct systems

are used when installation space is at a minimum. The 60mm height gives you more flexibility.



## Circular duct systems

are needed when larger volumes of air movement are required.



## Connectors

Inlet and outlet accessories are necessary to complete the ventilation system.

# VENTILATION SYSTEMS AND ACCESSORIES

The Dospel system is a comprehensive ventilation solution. The range has flat and circular ducts, accessories, elbows, joints and T pieces.

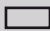

The system creates effective air movement in both domestic and office environments. The ABS plastic system is simple to install, and is thermally resistant at 40 degrees C. The metal ductwork system and its accessories are fire resistant.

These systems include circular and flat duct; they are both produced in three lengths 0.5, 1.0, 1.5 m. There are a wide range of ducts, connectors and accessories to install in a complete system. The System is produced from high quality ABS plastic (connectors) and Polypropylene (ducts).

Dospel offers you a full set of accessories including circular to rectangular duct connectors. The three lengths of ducting; 0.5, 1, and 1.5 m are necessary to install a complete system. The ducts can be cut to length using a saw or a specific plastic cutting tool.

After installation the system of ducts should be made fully airtight by a sealing silicone, foam, or weather strip tape.

Dospel System products have colour codes marked on packaging for ease of assembly and compatibility:

- for system  110 x 55, Ø100, Ø104
- for system  220 x 55, Ø125, Ø150



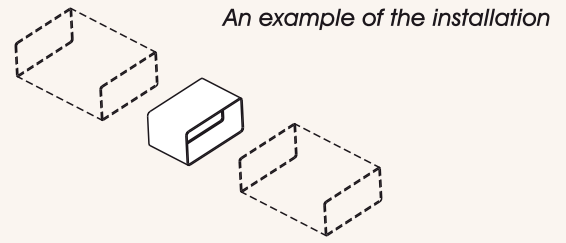
## D/ŁP

D/ŁP 110 x 55  
D/ŁP 220 x 55

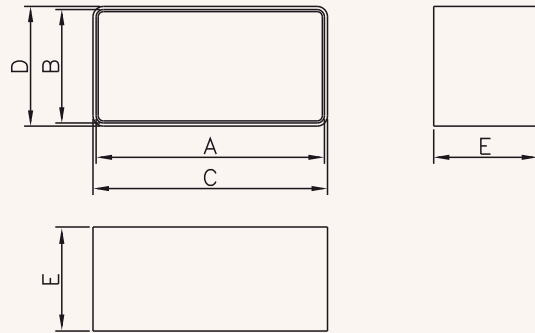
Flat duct connector

Available colours:  
- white

D/ŁP 110 x 55		110 x 55
D/ŁP 220 x 55		220 x 55



### TECHNICAL DRAWING



	A	B	C	D	E
D/ŁP 110 x 55	110	55	113	58	74
D/ŁP 220 x 55	219	54	223	58	68



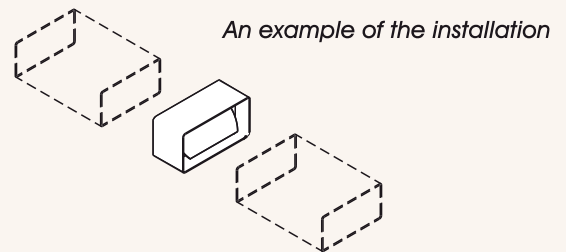
## D/ŁPP

D/ŁPP 110 x 55

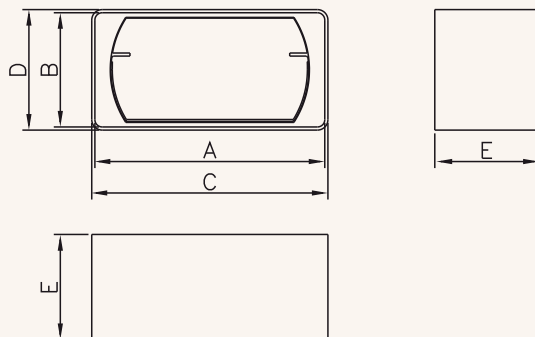
Flat duct connector with  
an air-damper

Available colours:  
- white

D/ŁPP 110 x 55		110 x 55
----------------	--	----------



### TECHNICAL DRAWING



	A	B	C	D	E
D/ŁPP 110 x 55	110	55	113	58	50

Model	EAN	Item number	Colour	Bulk packaging
D/ŁP 110 x 55	590 2289 00908	007 - 0220	white	20 pcs.
D/ŁP 220 x 55	590 6713 40541	007 - 1481	white	20 pcs.
D/ŁPP 110 x 55	590 2289 00939	007 - 0306	white	20 pcs.

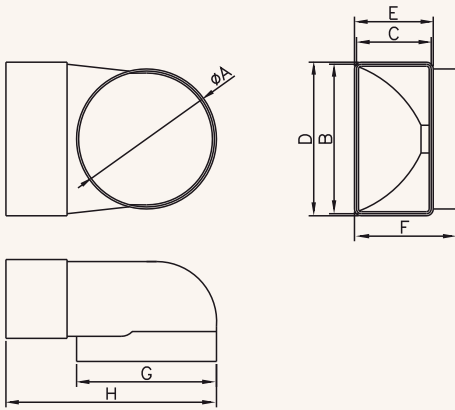




## D/KŁZ





D/KŁZ Ø104/ 110 x 55  
D/KŁZ Ø125/ 220 x 55

### TECHNICAL DRAWINGS

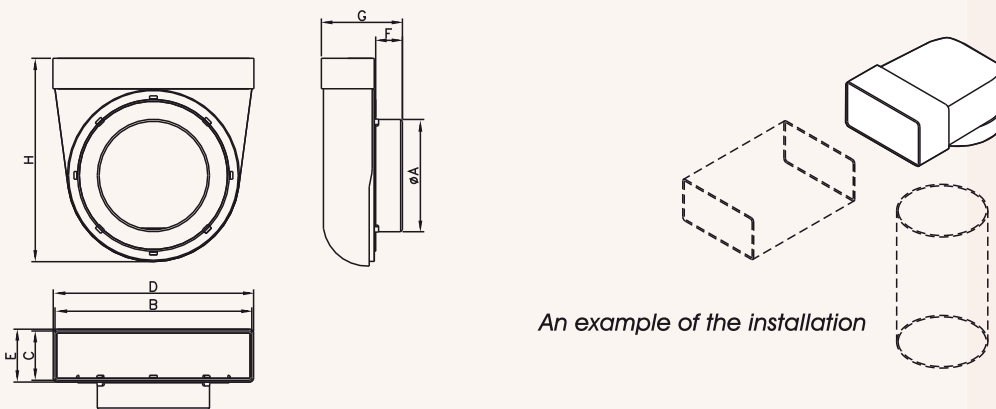


Connecting elbow bend- variable

Available colours:  
- white

D/KŁZ Ø104/ 110 x 55		Ø104 -  110 x 55
D/KŁZ Ø125/ 220 x 55		Ø125 -  220 x 55

	ØA	B	C	D	E	F	G	H
D/KŁZ Ø104/ 110 x 55	100	110	55	113	58	75	103	155



An example of the installation

	ØA	B	C	D	E	F	G	H
D/KŁZ Ø125/ 220 x 55	124	219	54	223	58	30	90	226

Model	EAN	Item number	Colour	Bulk packaging
D/KŁZ Ø104/ 110 x 55	590 2289 00937	007 - 0223	white	20 pcs.
D/KŁZ Ø125/ 220 x 55	590 6713 40537	007 - 1477	white	20 pcs.

# D/KO

D/KO Ø100/67°  
D/KO Ø100/90°

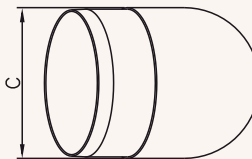
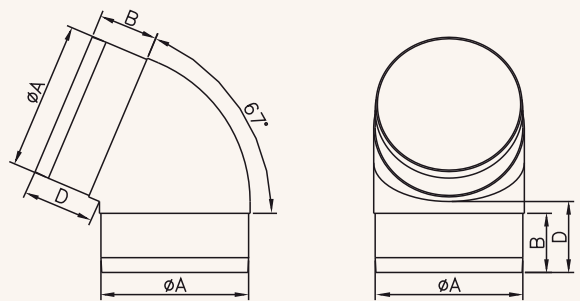


Round 67° and 90° elbow bend

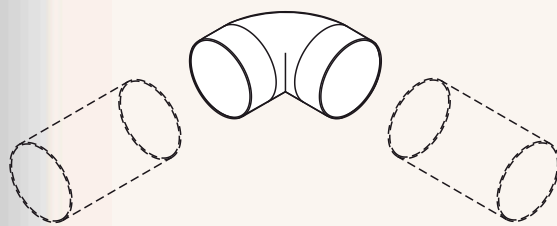
Available colours:  
-white

D/KO Ø100/67°	Ø104 <= Ø100 => Ø104
D/KO Ø100/90°	Ø104 <= Ø100 => Ø104

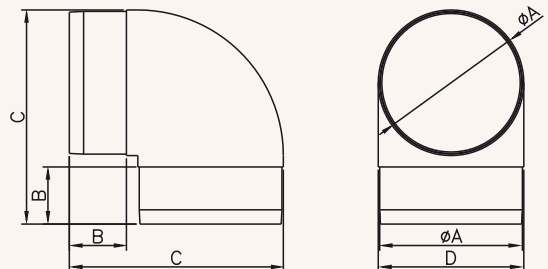
## TECHNICAL DRAWINGS



	ØA	B	C	D
D/KO Ø100/67°	100	40	102	48



An example of the installation



	ØA	B	C	D
D/KO Ø100/90°	100	40	150	102

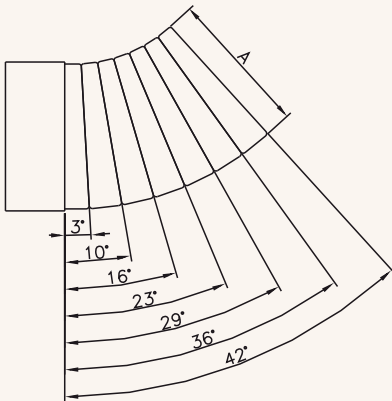
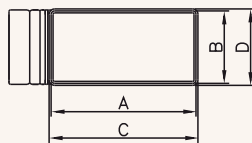
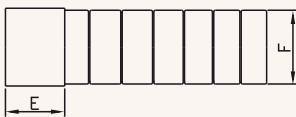
Model	EAN	Item number	Colour	Bulk packaging
D/KO Ø100/67°	590 2289 00924	007 - 0217	white	20 pcs.
D/KO Ø100/90°	590 2289 00920	007 - 0216	white	20 pcs.



**D/PW**

D/PW 110 x 55

TECHNICAL DRAWING

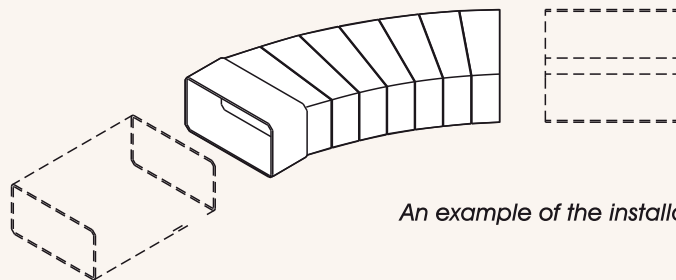


Adjustable horizontal bend

Available colours:  
- white

D/PW 110 x 55   110 x 55

	A	B	C	D	E	F
D/PW 110 x 55	110	55	113	58	45	56



An example of the installation

Model

EAN

Item number

Colour

Bulk packaging

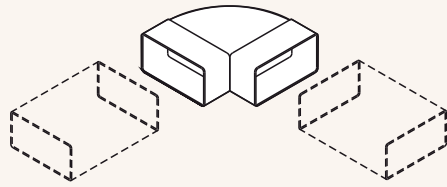
D/PW 110 x 55

590 2289 00914

007 - 0226

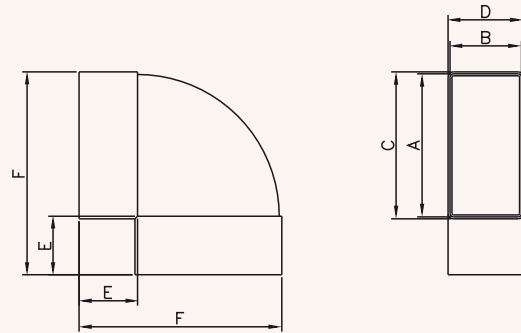
white

20 pcs.



An example of the installation

TECHNICAL DRAWING



**D/KPO**

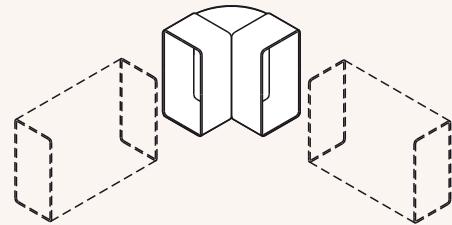
D/KPO 110 x 55  
D/KPO 220 x 55

Flat horizontal bend

Available colours:  
- white

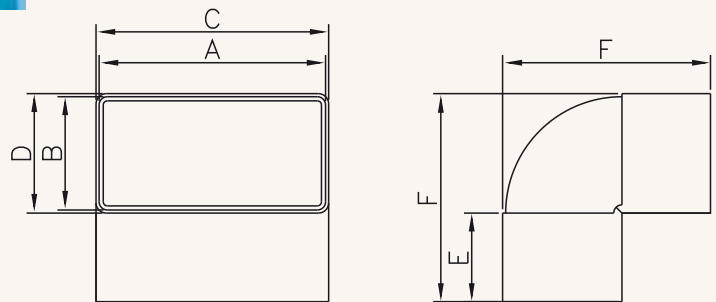
D/KPO 110 x 55		
D/KPO 220 x 55		

	A	B	C	D	E	F
D/KPO 110 x 55	110	55	113	58	45	156
D/KPO 220 x 55	219	54	223	58	35	257



An example of the installation

TECHNICAL DRAWING



**D/KPI**

D/KPI 110 x 55  
D/KPI 220 x 55

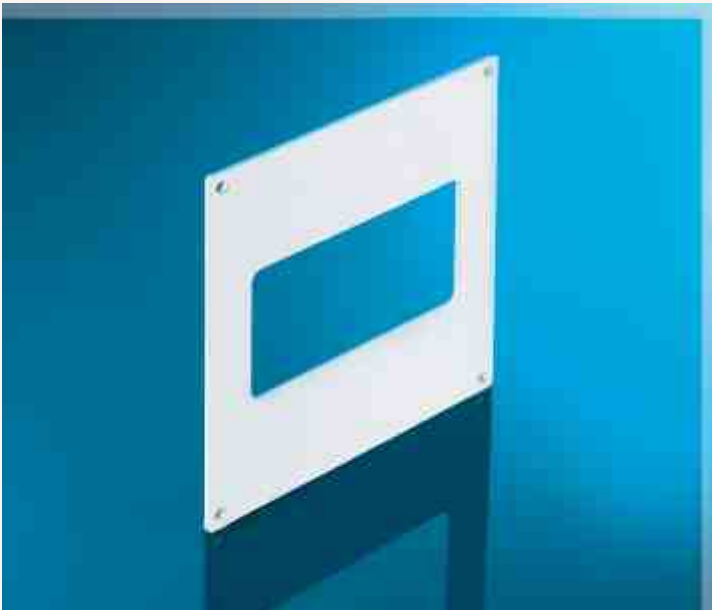
Flat vertical bend

Available colours:  
- white

D/KPI 110 x 55		
D/KPI 220 x 55		

	A	B	C	D	E	F
D/KPI 110 x 55	110	55	113	58	45	101
D/KPI 220 x 55	219	54	223	58	35	92

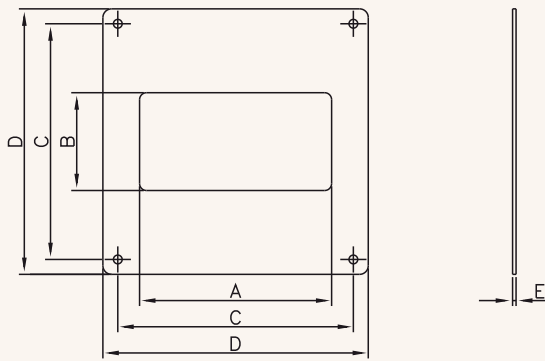
Model	EAN	Item number	Colour	Bulk packaging
D/KPO 110 x 55	590 2289 00913	007 - 0225	white	20 pcs.
D/KPO 220 x 55	590 6713 40539	007 - 1479	white	20 pcs.
D/KPI 110 x 55	590 2289 00912	007 - 0222	white	20 pcs.
D/KPI 220 x 55	590 6713 40538	007 - 1478	white	20 pcs.



**D/UKP**

D/UKP 110 x 55

**TECHNICAL DRAWING**

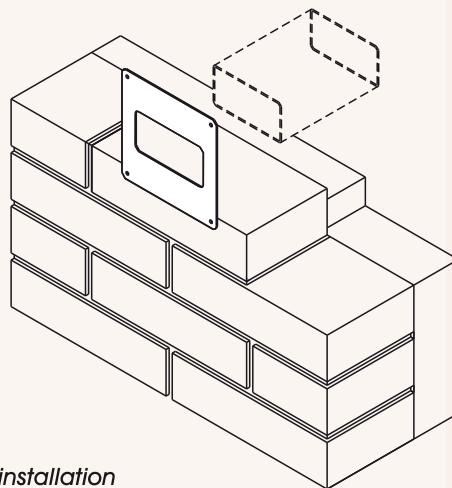


Rectangular wall plate

Available colours:  
- white

D/UKP 110 x 55   110 x 55

	A	B	C	D	E
D/UKP 110 x 55	110	56	135	152	2



*An example of the installation*

Model	EAN	Item number	Colour	Bulk packaging
D/UKP 110 x 55	590 2289 00917	007 - 0236	white	20 pcs.

# D/UZP

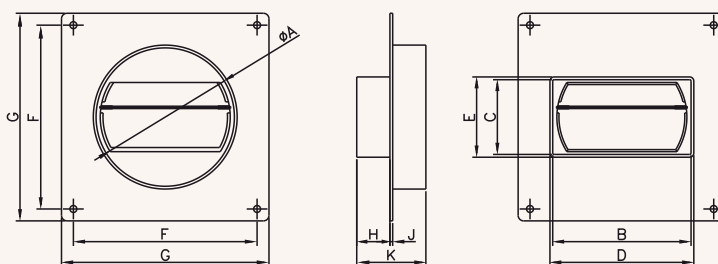
D/UZP Ø104/ 110 x 55



## TECHNICAL DRAWING

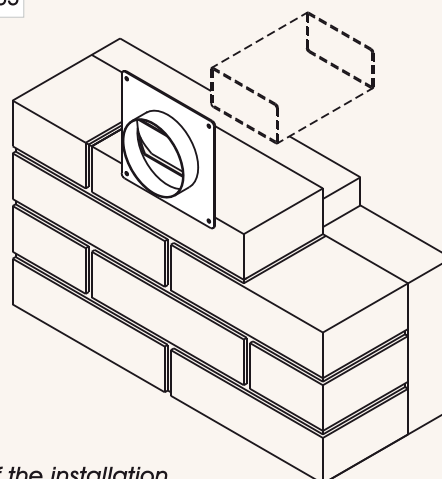
Round to rectangular wall plate with damper

Available colours:  
- white



	ØA	B	C	D	E	F	G	H	J	K
D/UZP Ø104/ 110 x 55	100	110	55	113	58	132	150	24	2	50

D/UZP Ø104/ 110 x 55   Ø104 - □ 110 x 55



An example of the installation

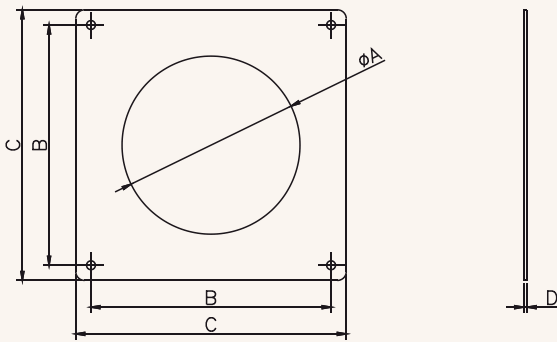
Model	EAN	Item number	Colour	Bulk packaging
D/UZP Ø104/ 110 x 55	590 2289 00923	007 - 0233	white	20 pcs.



## D/UKO

D/UKO Ø100  
D/UKO Ø104

### TECHNICAL DRAWING

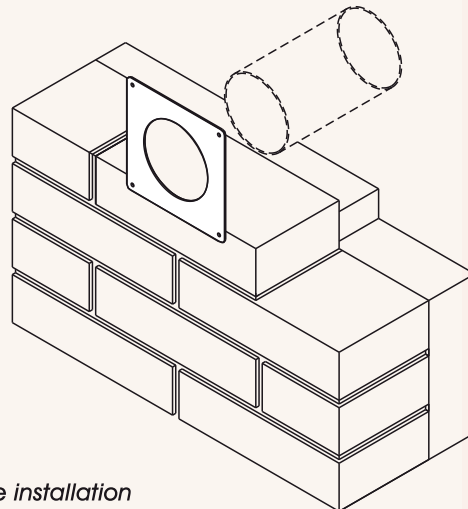


Round wall plate

Available colours:  
- white

D/UKO Ø100	Ø104 <=Ø100=>Ø104
D/UKO Ø104	Ø100 <=Ø104=>Ø100

	ØA	B	C	D
D/UKO Ø100	100	135	152	2
D/UKO Ø104	104	135	152	2



An example of the installation

Model	EAN	Item number	Colour	Bulk packaging
D/UKO Ø100	590 2289 00916	007 - 0235	white	20 pcs.
D/UKO Ø104	590 2289 00938	007 - 0240	white	20 pcs.

# D/UOP

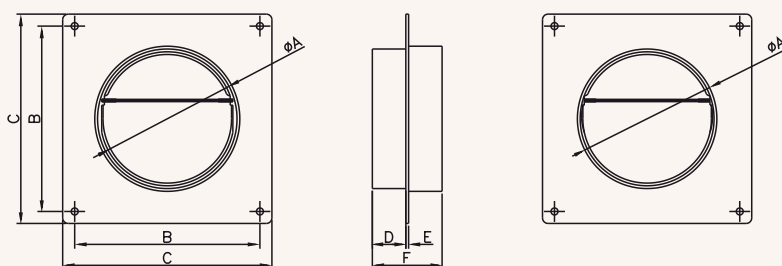
D/UOP Ø100/104



## TECHNICAL DRAWING

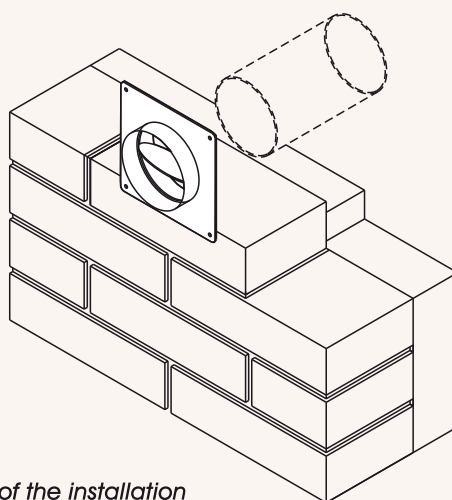
Round to round wall plate with damper

Available colours:  
- white



D/UOP Ø100/104 Ø100 - Ø104

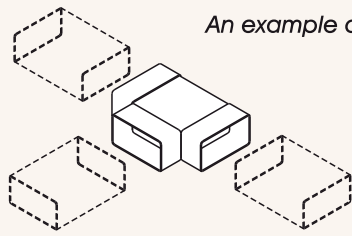
	ØA	B	C	D	E	F
D/UOP Ø100/104	100	133	150	24	2	50



An example of the installation

Model	EAN	Item number	Colour	Bulk packaging
D/UOP Ø100/104	590 2289 00922	007 - 0230	white	20 pcs.



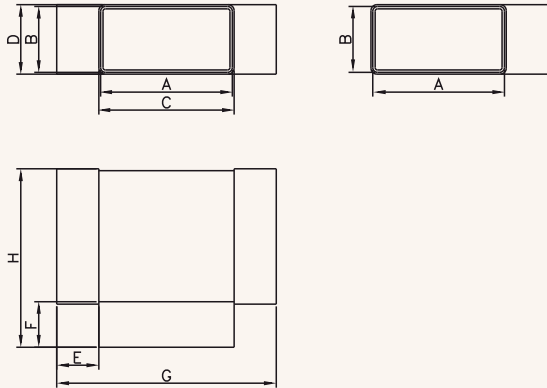


An example of the installation



D/TP 110 x 55   110 x 55

### TECHNICAL DRAWING



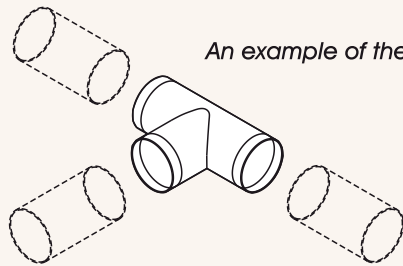
	A	B	C	D	E	F	G	H
D/TP 110 x 55	110	55	113	58	36	38	184	150

## D/TP

D/TP 110 x 55


Equal T piece

Available colours:  
- white

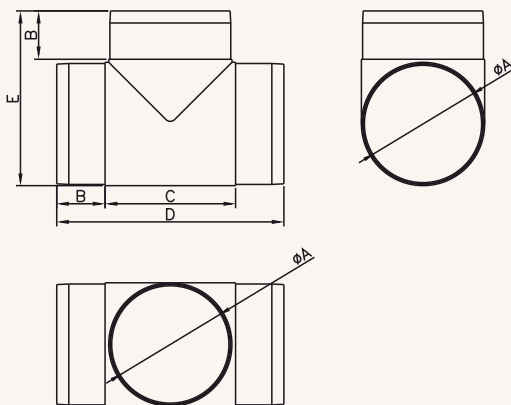


An example of the installation



D/TO Ø100   $\varnothing 104 \leq \varnothing 100 = > \varnothing 104$

### TECHNICAL DRAWING



	ØA	B	C	D	E
D/TO Ø100	100	40	108	188	145

## D/TO

D/TO Ø100

Round T piece

Available colours:  
- white

Model

EAN

Item number

Colour

Bulk packaging

D/TP 110 x 55

590 2289 00931

007 - 0227

white

20 pcs.

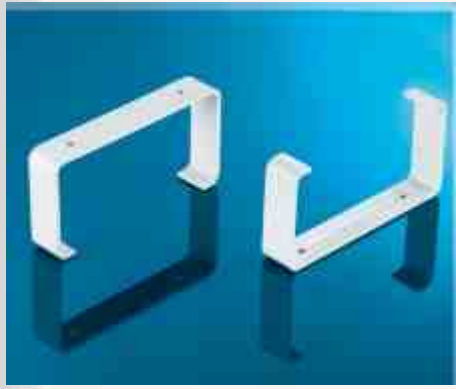
D/TO Ø100

590 2289 00921

007 - 0218

white

20 pcs.



## D/UMP

D/UMP 110 x 55  
D/UMP 220 x 55





Flat duct clip

Available colours:

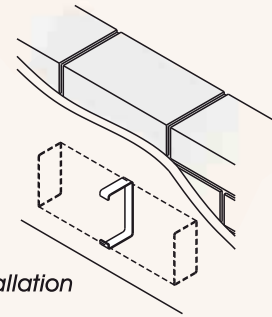
- white

Material: ABS - D/UMP 110 x 55

Painted sheet metal - D/UMP 220 x 55

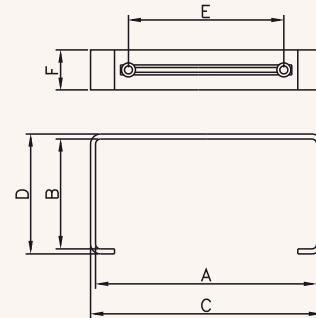
D/UMP 110 x 55		
D/UMP 220 x 55		

	A	B	C	D	E	F
D/UMP 110 x 55	110	55	115	60	20	78
D/UMP 220 x 55	219	54	223	58	180	20



An example of the installation

### TECHNICAL DRAWING





## D/UMO

D/UMO Ø100  
D/UMO Ø104

Circular duct clamp

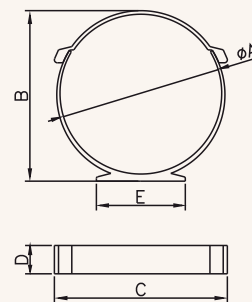
Available colours:

- white

D/UMO Ø100		Ø104<=Ø100=>Ø104
D/UMO Ø104		Ø100<=Ø104=>Ø100

An example of the installation

### TECHNICAL DRAWING



	ØA	B	C	D	E
D/UMO Ø100	100	105	107	18	55
D/UMO Ø104	104	111	113	18	45

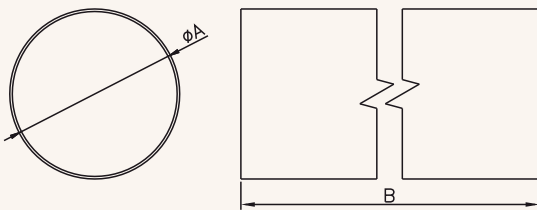
Model	EAN	Item number	Colour	Bulk packaging
D/UMP 110 x 55	590 2289 00909	007 - 0238	white	20 pcs.
D/UMP 220 x 55	590 6713 40592	007 - 1489	white	20 pcs.
D/UMO Ø100	590 2289 00918	007 - 0237	white	20 pcs.
D/UMO Ø104	590 2289 00919	007 - 0239	white	20 pcs.



## D/O

D/O Ø100/ 0,5mb  
 D/O Ø100/ 1,0mb  
 D/O Ø100/ 1,5mb  
 D/O Ø104/ 0,5mb  
 D/O Ø104/ 1,0mb  
 D/O Ø104/ 1,5mb

### TECHNICAL DRAWING

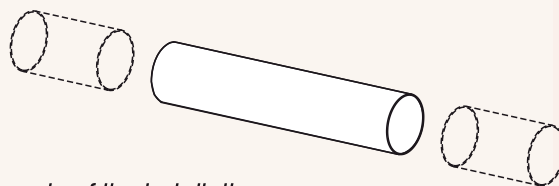


Circular duct and telescope connector

Available colours:  
- white

	ØA	B
D/O Ø100/ 0,5	100	500
D/O Ø100/ 1,0	100	1000
D/O Ø100/ 1,5	100	1500
D/O Ø104/ 0,5	104	500
D/O Ø104/ 1,0	104	1000
D/O Ø104/ 1,5	104	1500

D/O Ø100/ 0,5mb	Ø104<=Ø100=>Ø104
D/O Ø100/ 1,0 mb	Ø104<=Ø100=>Ø104
D/O Ø100/ 1,5 mb	Ø104<=Ø100=>Ø104
D/O Ø104/ 0,5 mb	Ø100<=Ø104=>Ø100
D/O Ø104/ 1,0 mb	Ø100<=Ø104=>Ø100
D/O Ø104/ 1,5 mb	Ø100<=Ø104=>Ø100

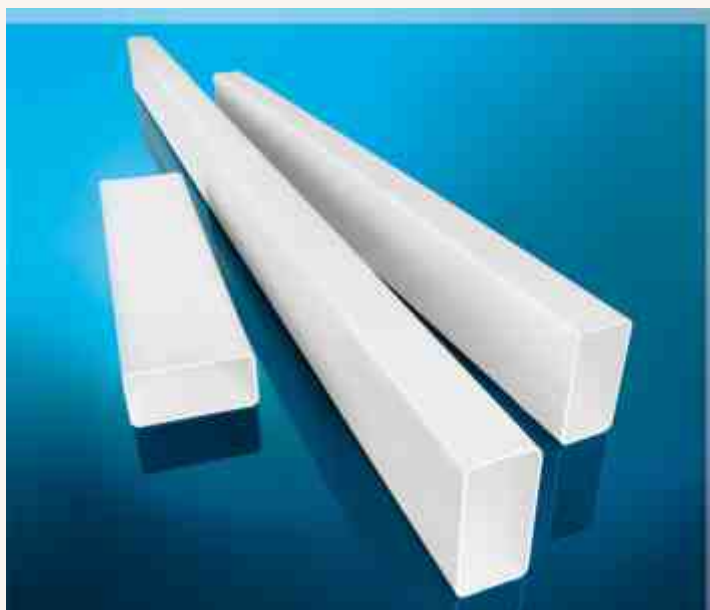


An example of the installation

Model	EAN	Item number	Colour	Bulk packaging
D/O Ø100/ 0,5 mb	590 2289 00905	007 - 0207	white	20 pcs.
D/O Ø100/ 1,0mb	590 2289 00904	007 - 0208	white	10 pcs.
D/O Ø100/ 1,5mb	590 2289 00906	007 - 0209	white	10 pcs.
D/O Ø104/ 0,5mb	590 2289 00953	007 - 0210	white	20 pcs.
D/O Ø104/ 1,0mb	590 2289 00954	007 - 0211	white	10 pcs.
D/O Ø104/ 1,5mb	590 2289 00955	007 - 0212	white	10 pcs.

## D/P

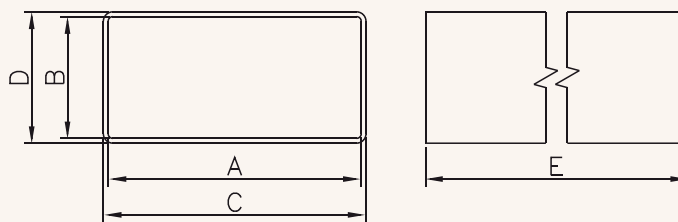
- D/P 110 x 55/ 0,5mb
- D/P 110 x 55/ 1,0mb
- D/P 110 x 55/ 1,5mb
- D/P 220 x 55/ 0,5mb
- D/P 220 x 55/ 1,0mb
- D/P 220 x 55/ 1,5mb



### TECHNICAL DRAWING

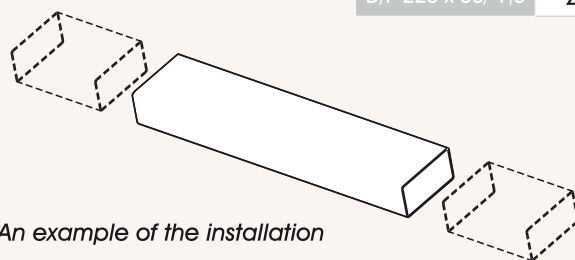
#### Flat duct

Available colours:  
- white



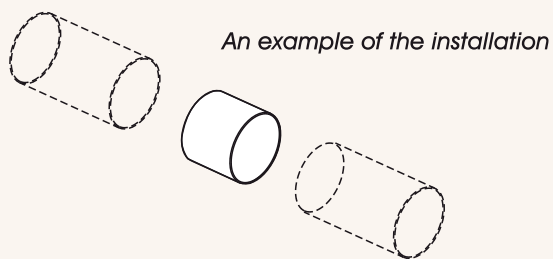
D/P 110 x 55/ 0,5 mb			110 x 55
D/P 110 x 55/ 1,0 mb			110 x 55
D/P 110 x 55/ 1,5 mb			110 x 55
D/P 220 x 55/ 0,5 mb			220 x 55
D/P 220 x 55/ 1,0 mb			220 x 55
D/P 220 x 55/ 1,5 mb			220 x 55

	A	B	C	D	E
D/P 110 x 55/ 0,5	106	51	110	55	500
D/P 110 x 55/ 1,0	106	51	110	55	1000
D/P 110 x 55/ 1,5	106	51	110	55	1500
D/P 220 x 55/ 0,5	215	50	219	54	500
D/P 220 x 55/ 1,0	215	50	219	54	1000
D/P 220 x 55/ 1,5	215	50	219	54	1500

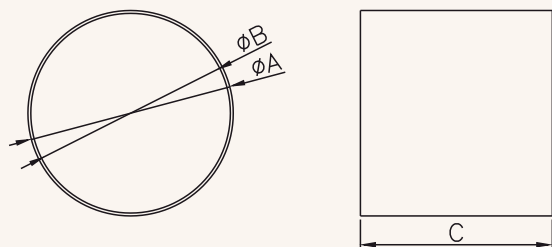


An example of the installation

Model	EAN	Item number	Colour	Bulk packaging
D/P 110 x 55/ 0,5mb	590 2289 00902	007 - 0213	white	40 pcs.
D/P 110 x 55/ 1,0mb	590 2289 00901	007 - 0214	white	20 pcs.
D/P 110 x 55/ 1,5mb	590 2289 00903	007 - 0215	white	20 pcs.
D/P 220 x 55/ 0,5mb	590 6713 40584	007 - 1507	white	20 pcs.
D/P 220 x 55/ 1,0mb	590 6713 40585	007 - 1508	white	10 pcs.
D/P 220 x 55/ 1,5mb	590 6713 40586	007 - 1509	white	10 pcs.



### TECHNICAL DRAWING



	ØA	ØB	C
D/LO Ø100	100	—	100
D/LO Ø104	—	100	100

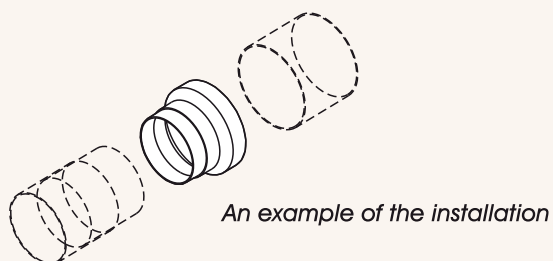
## D/LO

D/LO Ø100  
D/LO Ø104

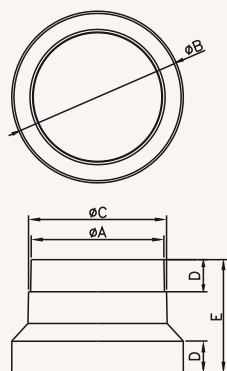
Connector for circular ducts

Available colours:  
- white

D/LO Ø100		Ø104 <= Ø100 => Ø104
D/LO Ø104		Ø100 <= Ø104 => Ø100



### TECHNICAL DRAWING



	ØA	ØB	ØC	D	E
D/RE 100/125	100	125	104	24	85
D/RE 125/150	122	150	125	24	85

## D/RE

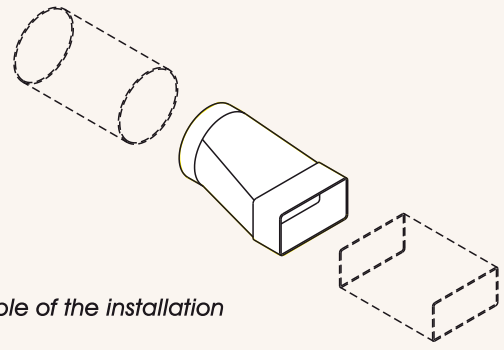
D/RE 100/125  
D/RE 125/150

Flat ducts reduction

Available colours:  
- white

D/RE 100/125		Ø100 - Ø125
D/RE 125/150		Ø125 - Ø150

Model	EAN	Item number	Colour	Bulk packaging
D/LO Ø100	590 2289 00907	007 - 0221	white	20 pcs.
D/LO Ø104	590 2289 00956	007 - 0333	white	20 pcs.
D/RE 100/125	590 2289 00940	007 - 0307	white	20 pcs.
D/RE 125/150	590 2289 00941	007 - 0308	white	20 pcs.



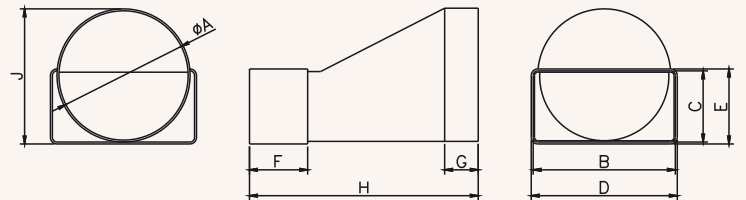
An example of the installation

D/ZD Ø104/ 110 x 55	<span style="color: red;">■</span>	Ø104 - □ 110 x 55
D/ZD Ø125/ 220 x 55	<span style="color: yellow;">■</span>	Ø125 - □ 220 x 55

TECHNICAL DRAWING

**D/ZD**

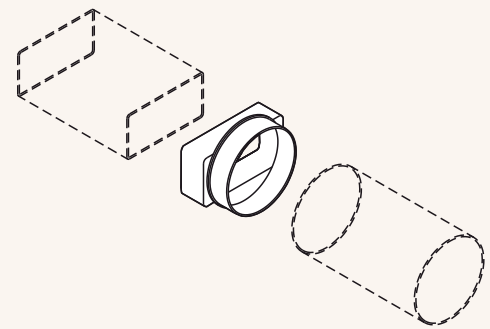
D/ZD Ø104/ 110 x 55  
D/ZD Ø125/ 220 x 55



Long round/rectangular connector

Available colours:  
- white

	ØA	B	C	D	E	F	G	H	J
D/ZD Ø100/ 110 x 55	100	110	55	113	58	45	26	117	105
D/ZD Ø125/ 220 x 55	125	219	54	223	58	30	185	215	135



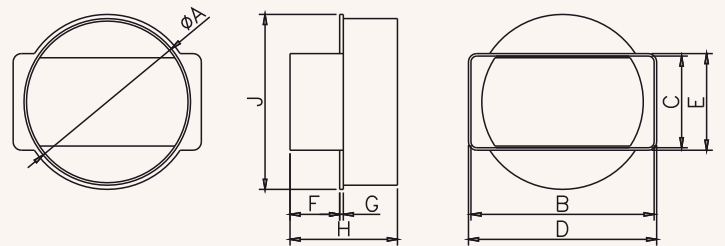
An example of the installation

D/ZK Ø100/ 110 x 55	<span style="color: red;">■</span>	Ø100 - □ 110 x 55
---------------------	------------------------------------	-------------------

TECHNICAL DRAWING

**D/ZK**

D/ZK Ø100/ 110 x 55



Short round/rectangular connector

Available colours:  
- white

	ØA	B	C	D	E	F	G	H	J
D/ZK Ø100/ 110 x 55	100	110	55	113	58	30	2	65	105

Model	EAN	Item number	Colour	Bulk packaging
D/ZD Ø104/ 110 x 55	590 2289 00911	007 - 0224	white	10 pcs.
D/ZD Ø125/ 220 x 55	590 6713 40540	007 - 1480	white	10 pcs.
D/ZK Ø100/ 110 x 55	590 2289 00910	007 - 0219	white	20 pcs.



## ALUFLEKS

ALUFLEKS Ø80  
 ALUFLEKS Ø100  
 ALUFLEKS Ø110  
 ALUFLEKS Ø120  
 ALUFLEKS Ø125  
 ALUFLEKS Ø130  
 ALUFLEKS Ø140  
 ALUFLEKS Ø150  
 ALUFLEKS Ø160  
 ALUFLEKS Ø200  
 ALUFLEKS Ø250  
 ALUFLEKS Ø315

### Aluminium duct

It is designed to be used in mechanical ventilation systems. Also for use in air-conditioning systems of small and medium pressure. They are made of coiled aluminium foil.

Model	EAN	Item number	Bulk packaging
Alufleks Ø80/ 3 mb	590 2289 00797	007 - 0413	1 pcs.
Alufleks Ø100/ 3 mb	590 2289 00810	007 - 0128	1 pcs.
Alufleks Ø110/ 3 mb	590 2289 00820	007 - 0129	1 pcs.
Alufleks Ø120/ 3 mb	590 7466 00811	007 - 0130	1 pcs.
Alufleks Ø125/ 3 mb	590 2289 00812	007 - 0131	1 pcs.
Alufleks Ø130/ 3 mb	590 2289 00813	007 - 0132	1 pcs.
Alufleks Ø140/ 3 mb	590 7466 00798	007 - 0414	1 pcs.
Alufleks Ø150/ 3 mb	590 2289 00814	007 - 0133	1 pcs.
Alufleks Ø160/ 3 mb	590 7466 00821	007 - 0134	1 pcs.
Alufleks Ø200/ 3 mb	590 2289 00822	007 - 0135	1 pcs.
Alufleks Ø250/ 3 mb	590 7466 00799	007 - 0415	1 pcs.
Alufleks Ø315/ 3 mb	590 7466 00800	007 - 0416	1 pcs.

Model	Material	Thickness of material [mm]	Temperature range [°C]	Maximum velocity of the air [m/s]	Maximum pressure [Pa]	Bending angle [°]	Standard length [m]
Alufleks	aluminium 8011	0,12	-30 ÷ + 250	25	2000	5 x D	3

## RKO

RKO Ø100  
 RKO Ø110  
 RKO Ø120  
 RKO Ø125  
 RKO Ø130  
 RKO Ø150  
 RKO Ø200

### Finishing rosette

Typical sizes available:  
 Ø100, Ø110, Ø120, Ø125,  
 Ø130, Ø150, Ø200



The RKO's are finishing grills, for covering rough edges and providing a high quality aesthetic finish of flexible ducts on a room wall (for example in a rectangular grill on kitchen cooker hoods).

Model	EAN	Item number	Bulk packaging
RKO Ø100	590 2289 00970	007 - 0485	10 pcs.
RKO Ø110	590 2289 00971	007 - 0486	10 pcs.
RKO Ø120	590 2289 00972	007 - 0487	10 pcs.
RKO Ø125	590 2289 00973	007 - 0488	10 pcs.
RKO Ø130	590 2289 00974	007 - 0489	10 pcs.
RKO Ø150	590 7466 67026	007 - 0987	10 pcs.
RKO Ø200	590 7466 67027	007 - 0988	10 pcs.

## RP /RN

RP 300  
 RN 300

### Speed controller

Two types:  
 RP - inside (for assembly inside a wall)  
 RN - outside (for assembly on the wall surface).



Model	Working voltage [V/Hz]	Voltage regulation range [V]	Power of load [W]	Operation mode	Fuse [AV]	Dimensions [mm]
RP 300	230/50	60-230	50-300	continuous	WTAF 3,15/250	80 x 80 x 50
RN 300	230/50	60-230	50-300	continuous	WTAF 3,15/250	80 x 80 x 50

Model	EAN	Item number	Colour	Bulk packaging
RP 300	590 2289 00600	007 - 0256	white	10 pcs.
RN 300	590 2289 00601	007 - 0257	white	10 pcs.



# Excellence in ventilation



Stylish design  
with  
energy saving light LED

ideally completes your  
bathroom, kitchen  
and living room.



venucci silver



venucci gold



VENUCCI steel



VENUCCI steel



VENUCCI brushed



VENUCCI antique gold



VENUCCI antique silver



VENUCCI glass



# venucci

General distributor: Dospel Sp. z o.o., ul Leśna 156, 42-200 Częstochowa



Gold Medal  
MTP  
Budma 2007



## Guaranteed energy conservation with health and filtration benefits

one and only original systems



1  
Economic II Ventilation  
Central system



2  
ACUSTIFLEKS Acoustic  
Damper



3  
TERMOFLEKS Fleksible  
Pipe



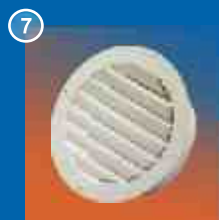
4  
"PORTKI" Three - way  
Adapter



5  
ANM Blow/Exhaust  
anemostat



6  
RC 300 Rotation  
Regulator



7  
Suction Device/  
Launcher



8  
GWC max module

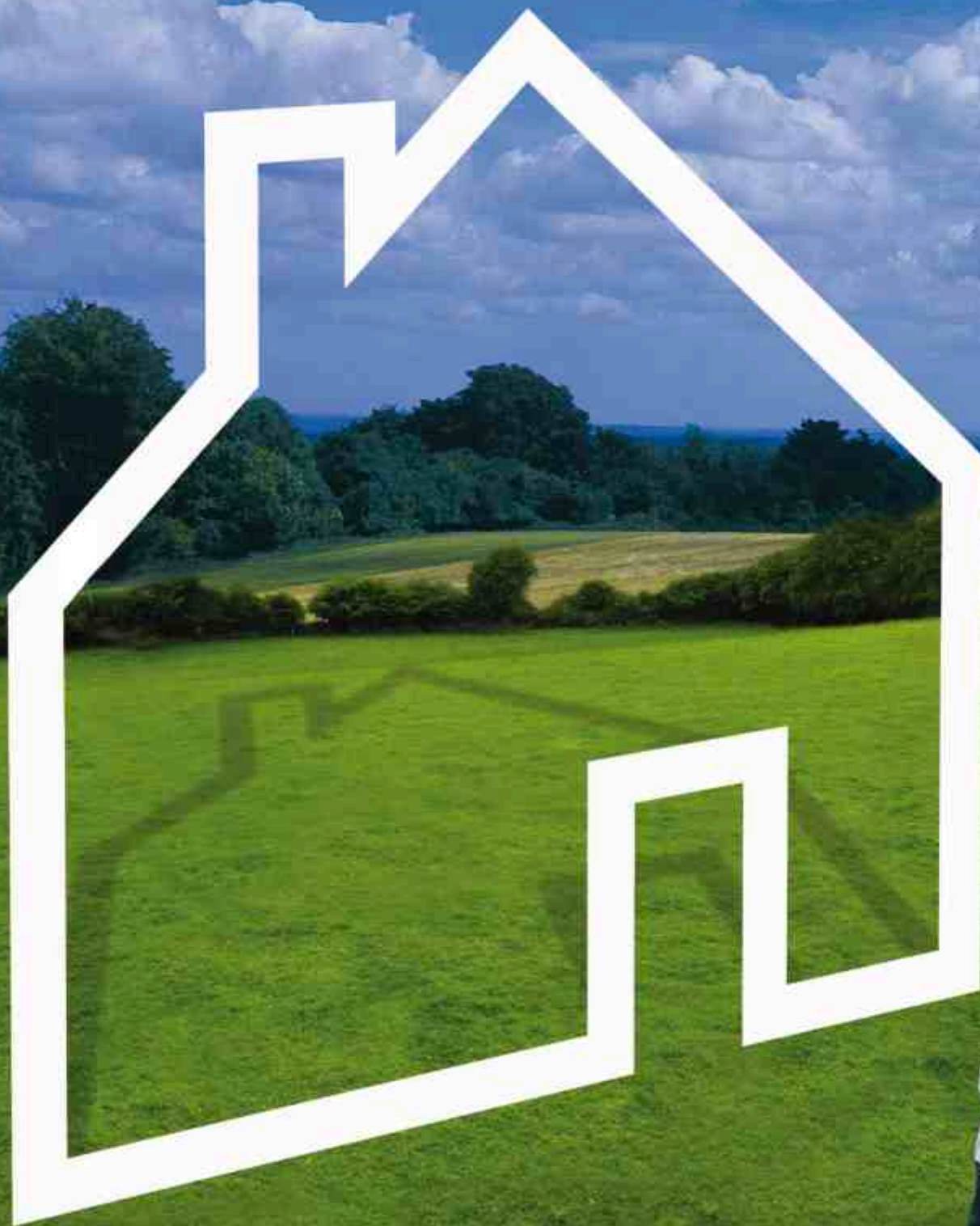


9  
Heater for the GWC max  
System



10  
Orange PE pipes designed  
for the GWC max System

# Live in Comfort!



one and only original systems

- ventilation with 'Comfort' energy recuperation
- the 'Cieplik' warm-air fireplace heating system
- GWC max-energy efficient 'Comfort' ventilation



**Air Handling Units**  
**Air Heating Units**  
**Industrial ventilators**  
**Systems of ventilating ducts**

[www.dospelprofessional.com](http://www.dospelprofessional.com)

[office@dospel.com](mailto:office@dospel.com)



# DOSPEL

Professional

- innovative projects
- modern technologies
- the best specialists
- the best prices



DOSPEL Professional  
Gnaszyn Factory  
ul. Główna 182, 42-280 Częstochowa, Poland  
tel. +48 34 370 31 54, fax +48 34 370 31 55

**Notes**





**Main Office and Factory:**

Dospel Sp. z o.o.

ul. Leśna 156

42-200 Częstochowa

phone: +48 34 365 98 43, fax ext.: 102

[www.dospel.com](http://www.dospel.com)

Export Department: +48 34 360 97 00

e-mail: [export@dospel.com](mailto:export@dospel.com)